

Оглавление

4-3-1.....	3
4-3-2.....	4
4-3-3.....	5
4-3-4, 4-3-5.....	6
4-3-6.....	7
4-3-7.....	8
4-3-8.....	9
4-3-9.....	10
4-3-10.....	12
4-3-11.....	13
4-3-12.....	15
4-3-13.....	16
4-3-14.....	18

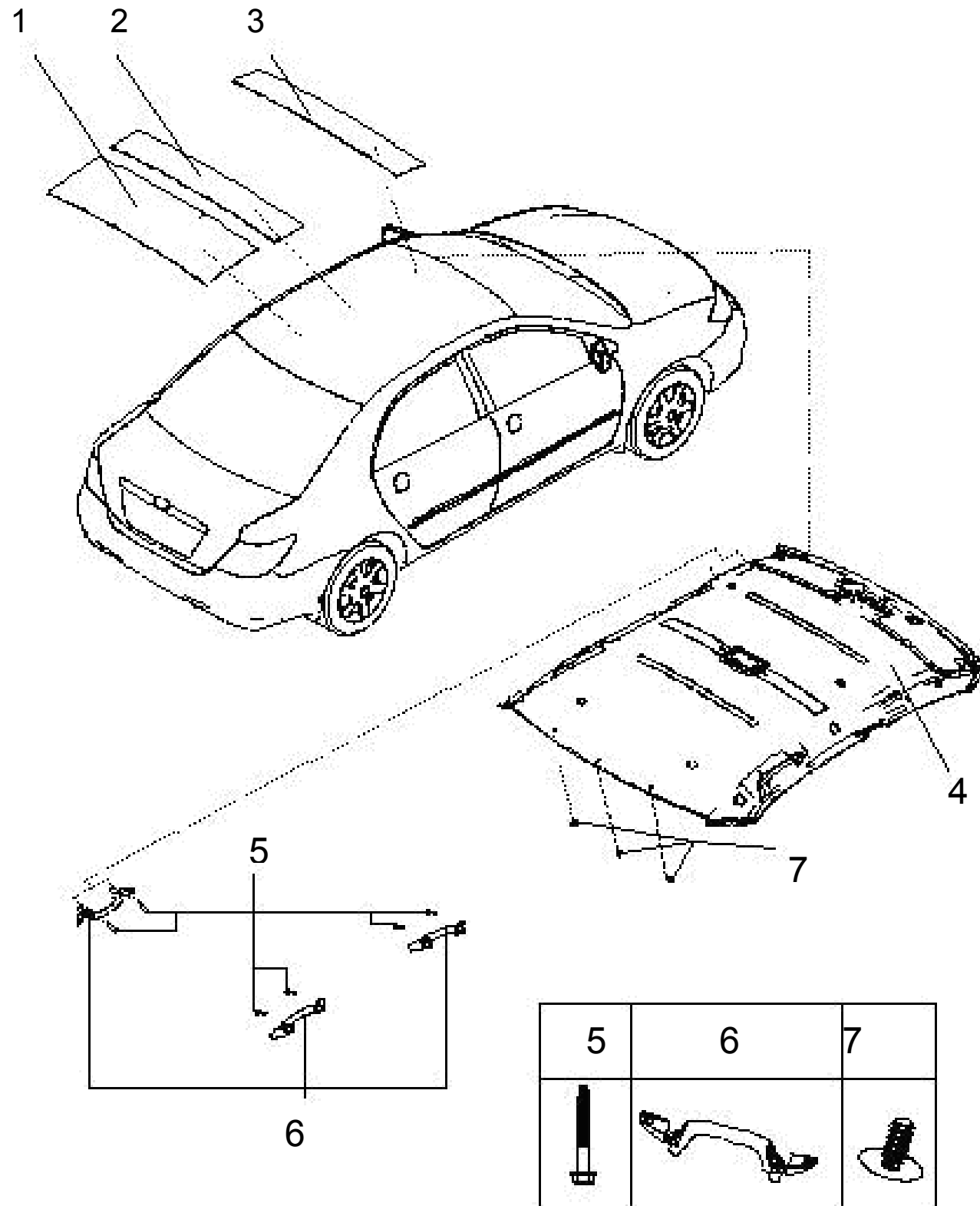


图 4-3-1

序号 No.	零件编号 Part No.	名称 Description		数量 Qty	备注 Rem
		中文 Chinese	英文 English		
		1	BYDF3-5702123		
2	BYDF3-5702122	顶棚中隔热垫	MIDDLE HEAT INSULATING CUSHION,ROOF	1	仅用于 经济和 舒适型
3	BYDF3-5702121	顶棚前隔热垫	FRONT HEAT INSULATING CUSHION,ROOF	1	仅用于 经济和 舒适型
4	BYDF3-5702010 BYDF3-5702010C	顶棚内护板总成	SHIELD ASSY, ROOF SHIELD ASSY, ROOF	1	
5	BYDF3-5702119	安装螺钉	INSTALLED SCREW	6	
6	BYDF3-5702118	车顶扶手	ASSIST GRIP	3	
7	BL1706	顶棚固定卡扣	FIXED CLAMP,ROOF	3	

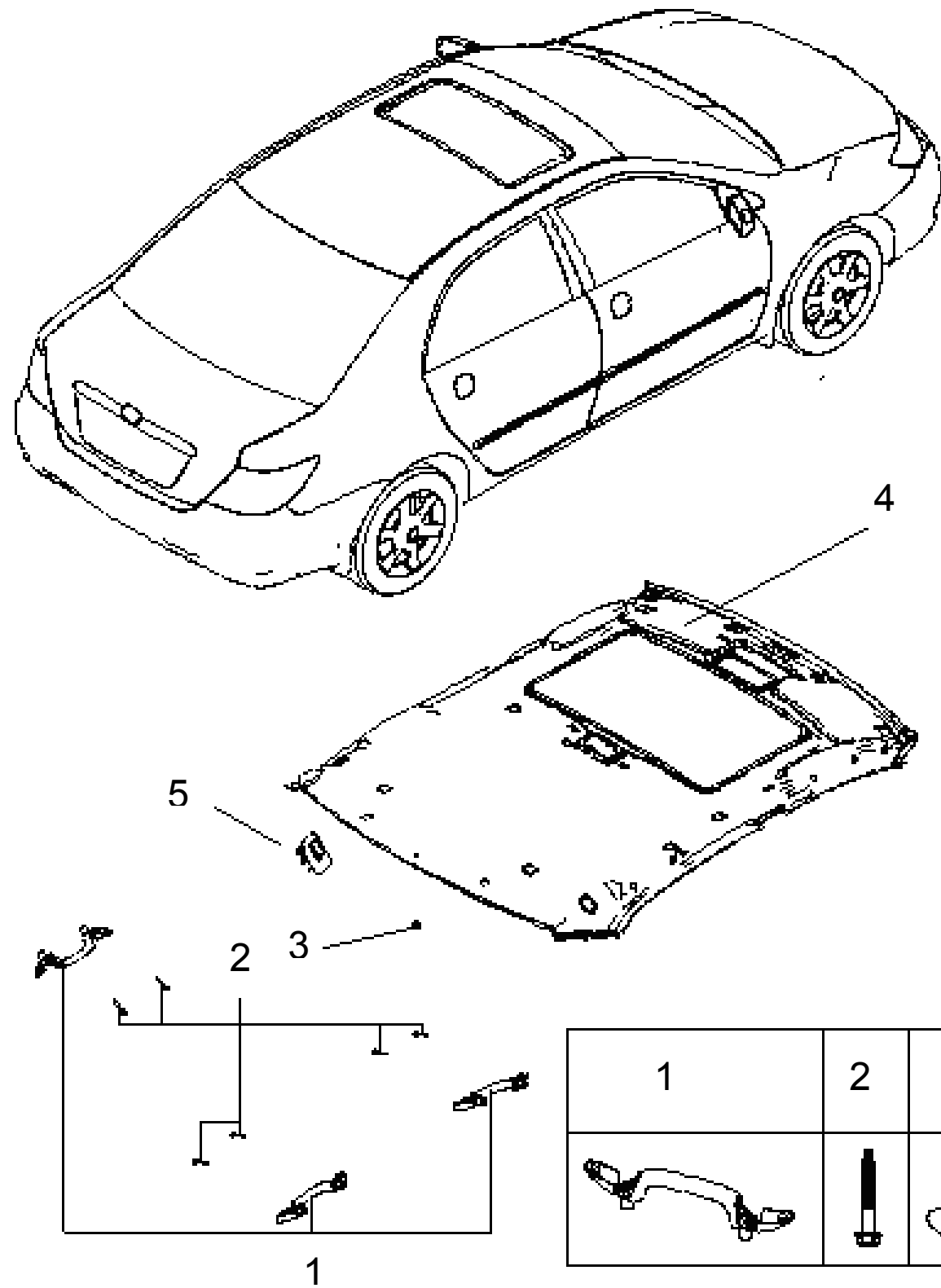


图 4-3-2

序号 No.	零件编号 Part No.	名称 Description		数量 Qty	备注 Rem
		中文 Chinese	英文 English		
		1	BYDF3-5702118		
2	BYDF3-5702119	安装螺钉	INSTALLATED SCREW	6	
3	BL1706	顶棚固定卡扣	CLIP,ROOF	1	仅用于 旗舰型
				3	仅用于 尊贵型
4	BYDF3-5702010A	顶棚内护板总成	SHIELD ASSY,ROOF	1	
	BYDF3-5702010B		SHIELD ASSY,ROOF		
5	BYDF3-5702117B	后围遮阳帘拉钩卡座	CLIP HOLDER,REAR SUN VISOR	2	

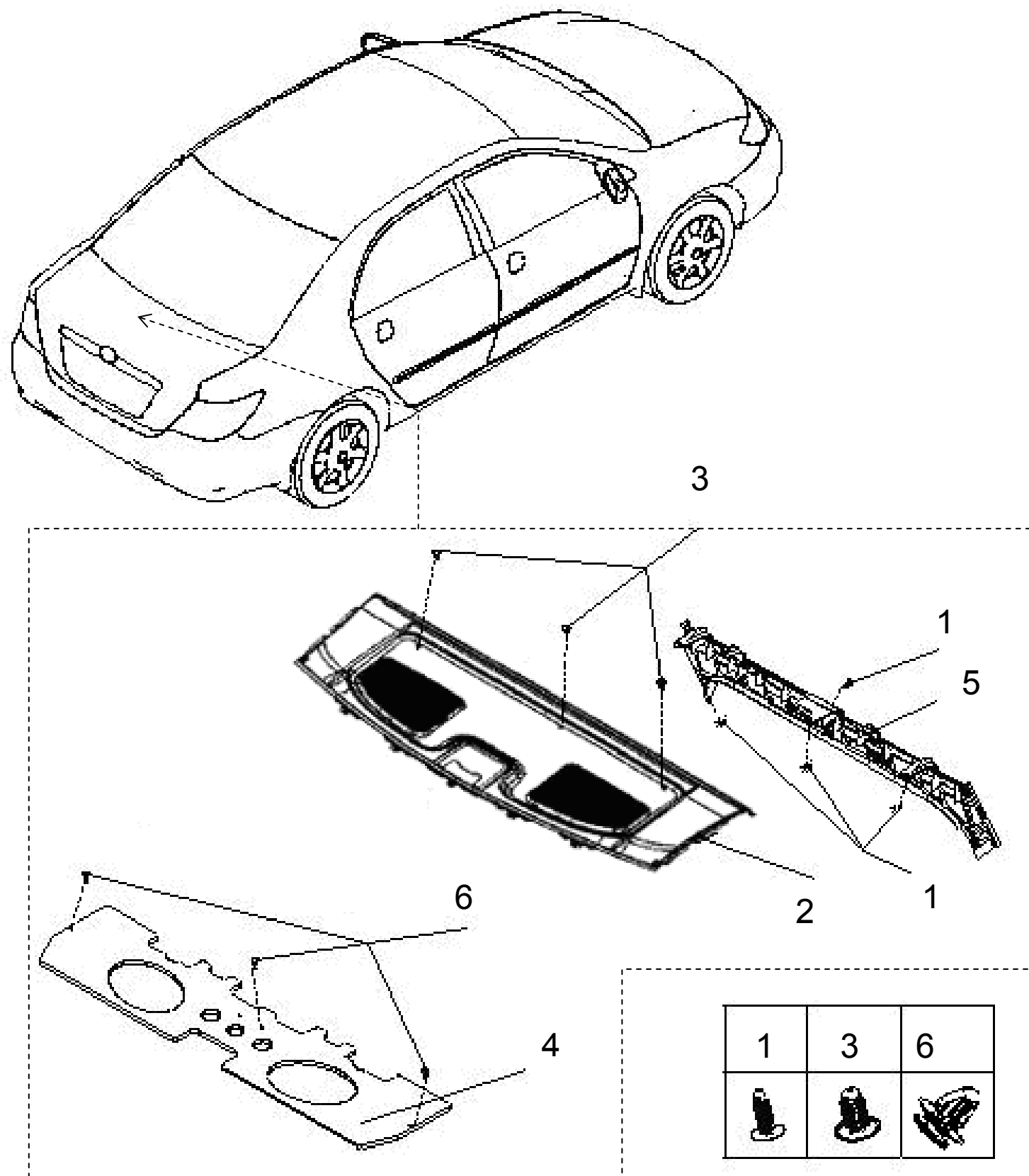
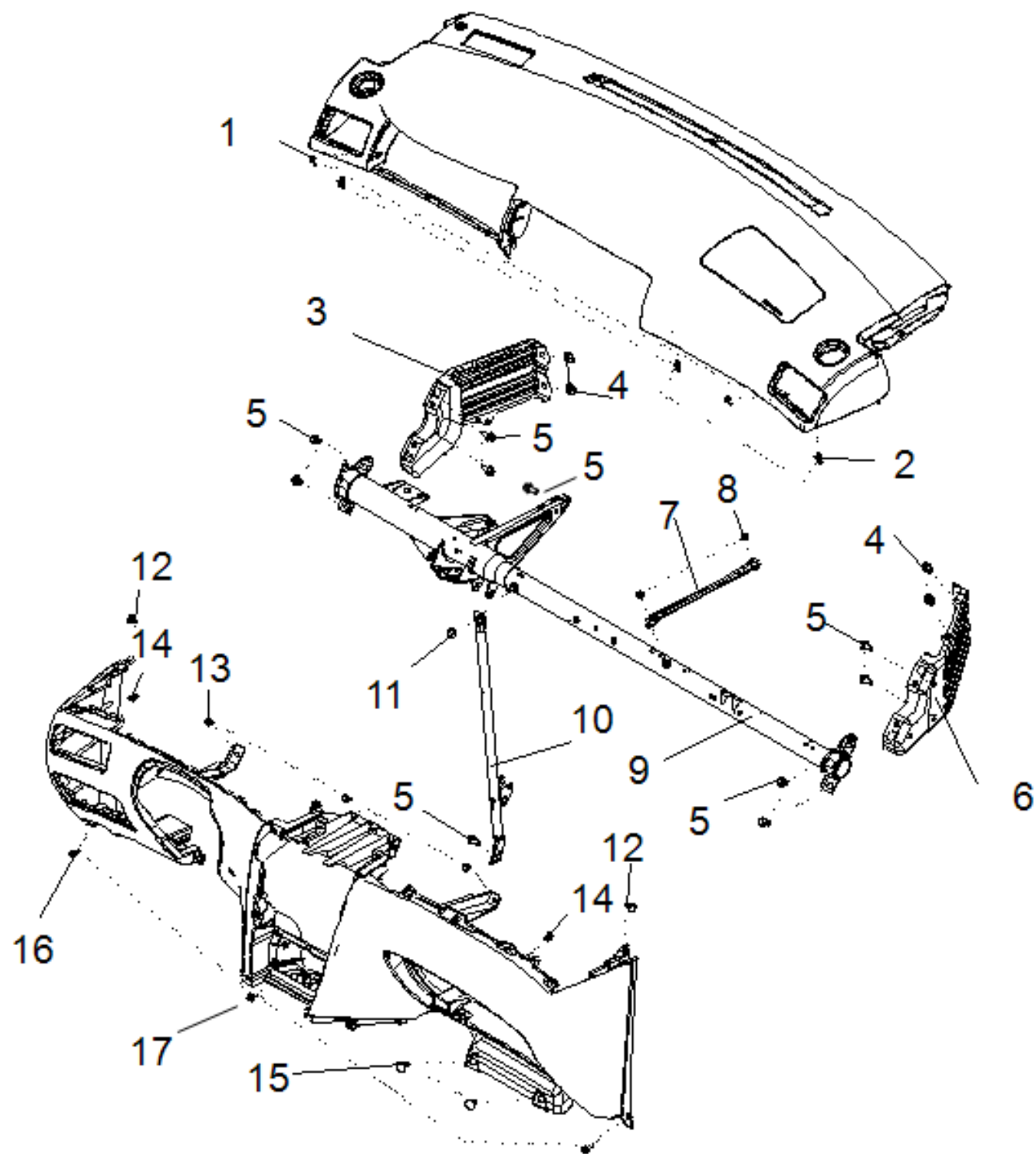


图 4-3-3

序号 No.	零件编号 Part No.	名称 Description		数量 Qty	备注 Rem
		中文 Chinese	英文 English		
		1	BL2008		
2	BYDF3-5602117	搁物架毡垫	MAT, REAR WINDOW SHELF	1	经济型 无此件
3	BL0608	护板安装卡扣	CLAMP	3	旗舰型 无此件
4	BYDF3-5602110 BYDF3-5602110A BYDF3-5602110B BYDF3-5602110C	搁物架上护板总成	UPPER SHIELD, REAR WINDOW SHELF	1	
5	BYDF3-5602112	行李舱前护板	FRONT SHIELD, LUGGAGE COMPARTMENT	1	
6	BL1908B	护板安装卡扣	MOUNTED CLAMP, SHIELD	3	

4-3-4, 4-3-5



1	2	4	8	11	5	12	13	14	15	16	17

图 4-3-4, 4-3-5

序号 No.	零件编号 Part No.	名称 Description		数量 Qty	备注 Rem
		中文 Chinese	英文 English		
1	BYDF3-5311118	L14带承载面十字头F型螺钉	CROSSED HEAD SCREW L14 F-TYPE	2	
2	BL0607	仪表台上护板安装卡扣	MOUNTED CLAMP, UPPER INSTRUMENT PANEL	3	
3	BYDF3-5305130	仪表台横梁左固定支架组件	FIXED BRACKET COMP, MEMBER, INSTRUMENT PANEL, L	1	
4	BYDF3-5311115	固定螺母	FIXED NUT	4	
5	Q1840816	固定螺栓	FIXED SCREW	10	
6	BYDF3-5305140	仪表台横梁右固定支架组件	FIXED BRACKET COMP, MEMBER, INSTRUMENT PANEL, R	1	
7	BYDF3-5305114	仪表台横梁拉杆	TENSION ROD, MEMBER, INSTRUMENT PANEL	1	
8	BYDF3-5311152	固定螺母M6	FIXED NUT M6	2	
9	BYDF3-5305120	仪表台骨架横梁焊接总成	MEMBER ASSY, INSTRUMENT PANEL	1	
10	BYDF3-5305150	仪表台横梁撑杆组件	SUPPORT ROD COMP, MEMBER, INSTRUMENT PANEL	1	
11	Q32008	螺母	NUT	1	
12	BL0506	仪表板固定I卡扣	FIXED CLAMP I	2	
13	BYDF3-5311151	组合螺钉	COMBINATION SCREW	3	
14	BYDF3-5311126	固定卡簧III	FIXED CLAMP III	2	
15	BL0606	仪表板固定II卡扣	FIXED CLAMP II	2	
16	Q1400616	螺栓	SCREW	2	
17	Q2706319	六角法兰面自攻螺钉	HEX-SCREW FLANGE	1	

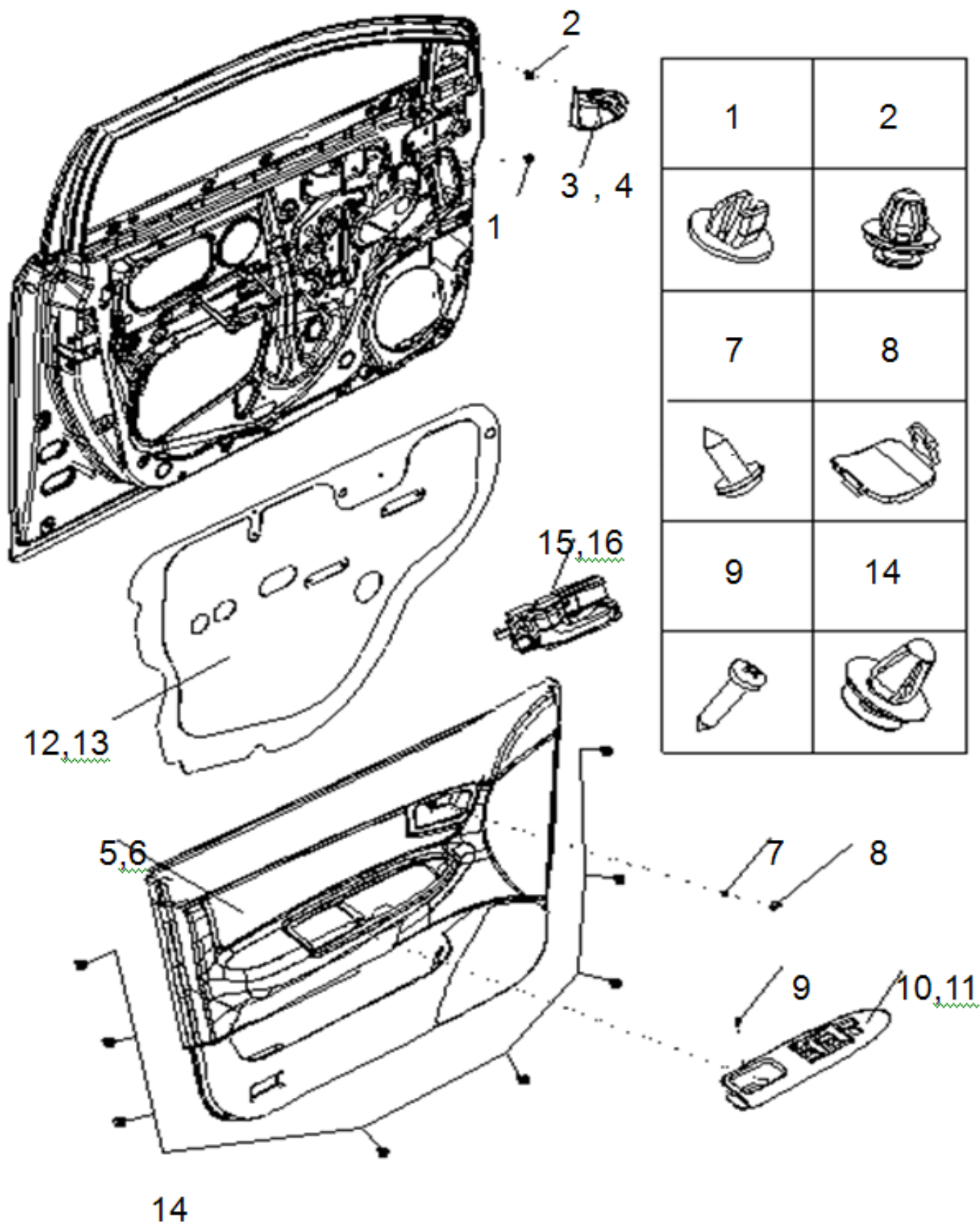


图 4-3-6

序号 No.	零件编号 Part No.	名称 Description		数量 Qty	备注 Rem
		中文 Chinese	英文 English		
		1	BL4208		
2	BL2608	车门上角小音响罩卡扣	CLAMP, ALT SPEAKER COVER, DOOR	1	
3	BYDF3-6102111	左前侧车门上角小音响罩	ALT SPEAKER COVER, FRONT DOOR, L	1	
4	BYDF3-6102112	右前侧车门上角小音响罩	ALT SPEAKER COVER, FRONT DOOR, R	1	
5	BYDF3-6102100 BYDF3-6102100B	左前侧车门护板总成	TRIM PANEL ASSY, FRONT DOOR, L	1	
6	BYDF3-6102200 BYDF3-6102200B	右前侧车门护板总成	TRIM PANEL ASSY, FRONT DOOR, R	1	
7	Q2714816	门扣手安装螺钉	MOUNTED SCREW	2	
8	BYDF3-6102149	车门扣手座安装螺钉堵盖	PLUG, SCREW HANDLE HOLDER	2	
9	Q2723516	前侧车门扶手座螺钉	SCREW, HANDRAIL HOLDER, FRONT DOOR	2	
10	BYDF3-6102141	左前侧车门扶手座	HANDRAIL HOLDER, FRONT DOOR, L	1	
11	BYDF3-6102142	右前侧车门扶手座	HANDLE HOLDER, FRONT DOOR, R	1	
12	BYDF3-6107130	左前侧车门密封毡垫总成	SEALING CUSHION, FRONT DOOR, L	1	
13	BYDF3-6107140	右前侧车门密封毡垫总成	SEALING CUSHION, FRONT DOOR, R	1	
14	BL2508	前车门护板固定卡扣	FIXED CLAMP	8	
15	BYDF3-6105150	左侧车门内扣手总成	INNER HANDLE ASSY, DOOR, L	1 1	
16	BYDF3-6105160	右侧车门内扣手总成	INNER HANDLE ASSY, DOOR, R	1 1	

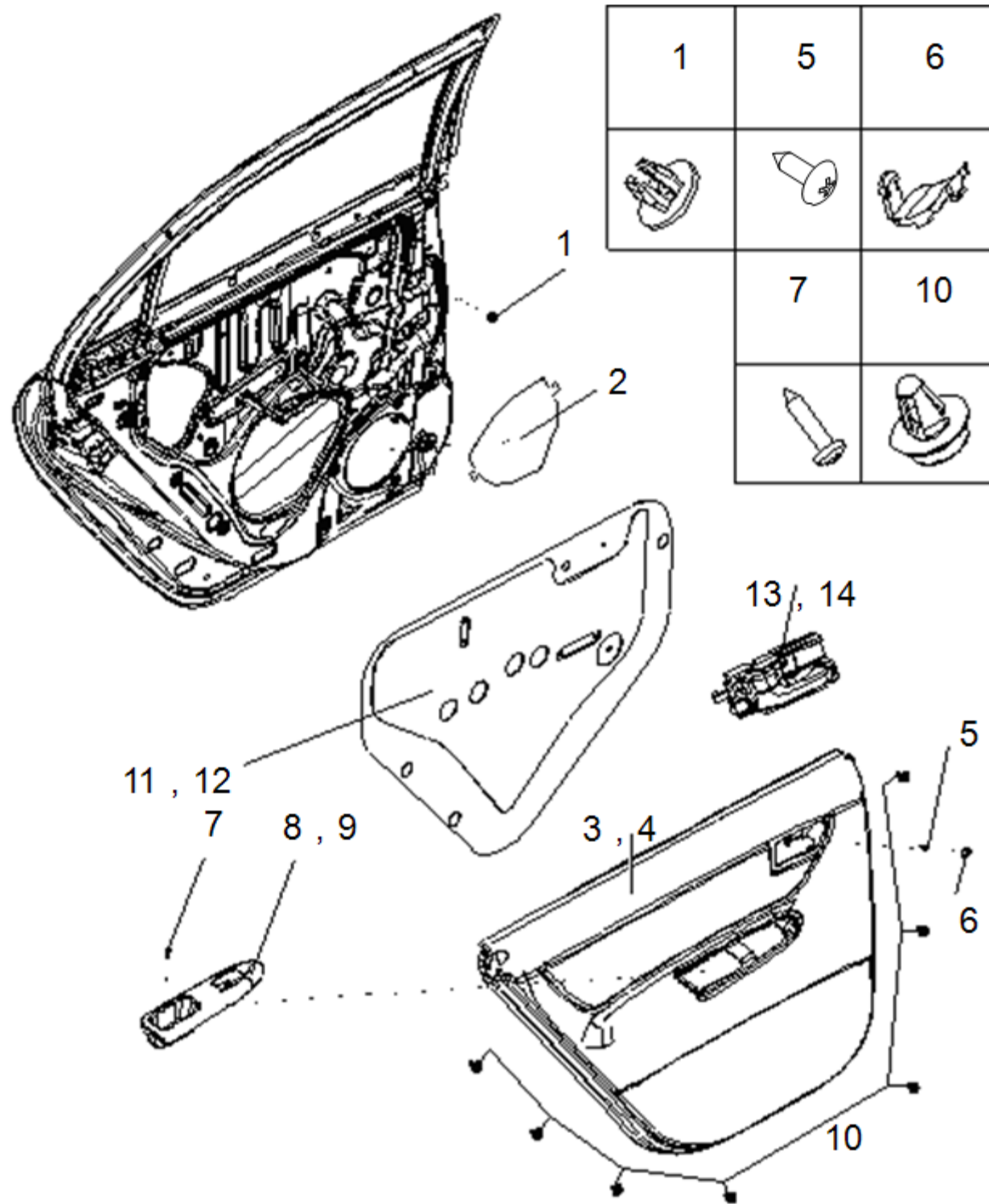


图 4-3-7

序号 No.	零件编号 Part No.	名称 Description		数量 Qty	备注 Rem
		中文 Chinese	英文 English		
1	BL4208	塑料方螺母	PLASTIC NUT	1	
2	BYDF3-6207123	后侧门喇叭口封盖	COVER, SPEAKER, REAR DOOR	2	
3	BYDF3-6202100 BYDF3-6202100B	左后侧车门护板总成	TRIM PANEL ASSY, REAR DOOR,L	1	
4	BYDF3-6202200 BYDF3-6202200B	右后侧车门护板总成	TRIM PANEL ASSY, REAR DOOR,R	1	
5	Q2714816	门扣手安装螺钉	MOUNTED SCREW	2	
6	BYDF3-6102149	车门扣手座安装螺钉 堵盖	PLUG,SCREW HANDLE HOLDER	2	
7	Q2723516	后侧车门扶手座螺钉	SCREW,HANDRAIL, REAR DOOR	2	
8	BYDF3-6202141	左后侧车门扶手座	HANDRAIL HOLDER, REAR DOOR,L	1	
9	BYDF3-6202142	右后侧车门扶手座	HANDRAIL HOLDER, REAR DOOR,R	1	
10	BL2508	后车门护板固定卡扣	FIXED CLAMP	7	7*2
11	BYDF3-6207130	左后侧车门密封毡垫 总成	WEATHERSTRIP ASSY,REAR DOOR,L	1	
12	BYDF3-6207140	右后侧车门密封毡垫 总成	SEALING CUSHION, REAR DOOR,R	1	
13	BYDF3-6105150 BYDF3-6105150C	左侧车门内扣手总成	SEALING CUSHION, REAR DOOR,L	1	
14	BYDF3-6105160	右侧车门内扣手总成	INNER HANDLE ASSY, DOOR,R	1	

4-3-8

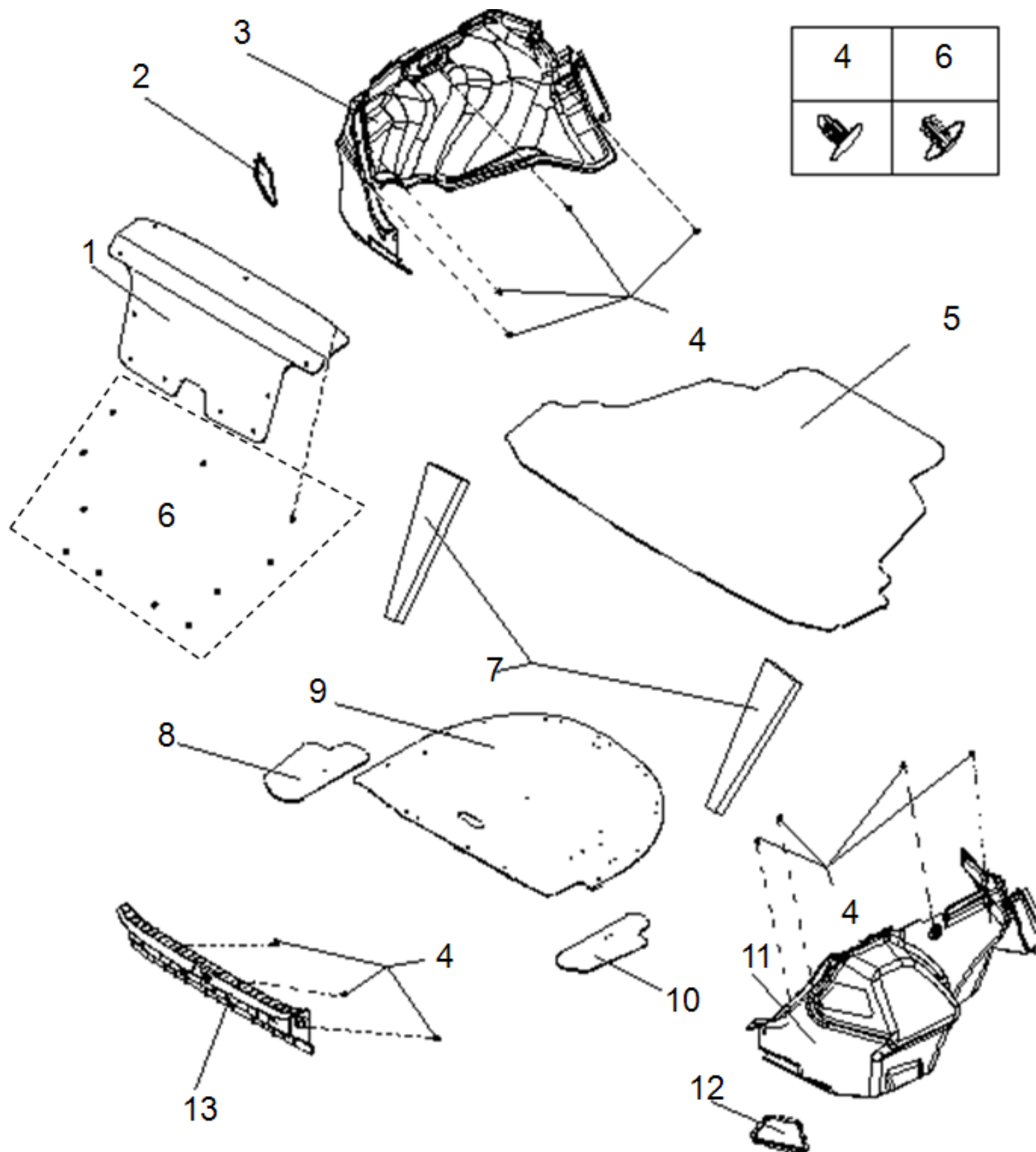


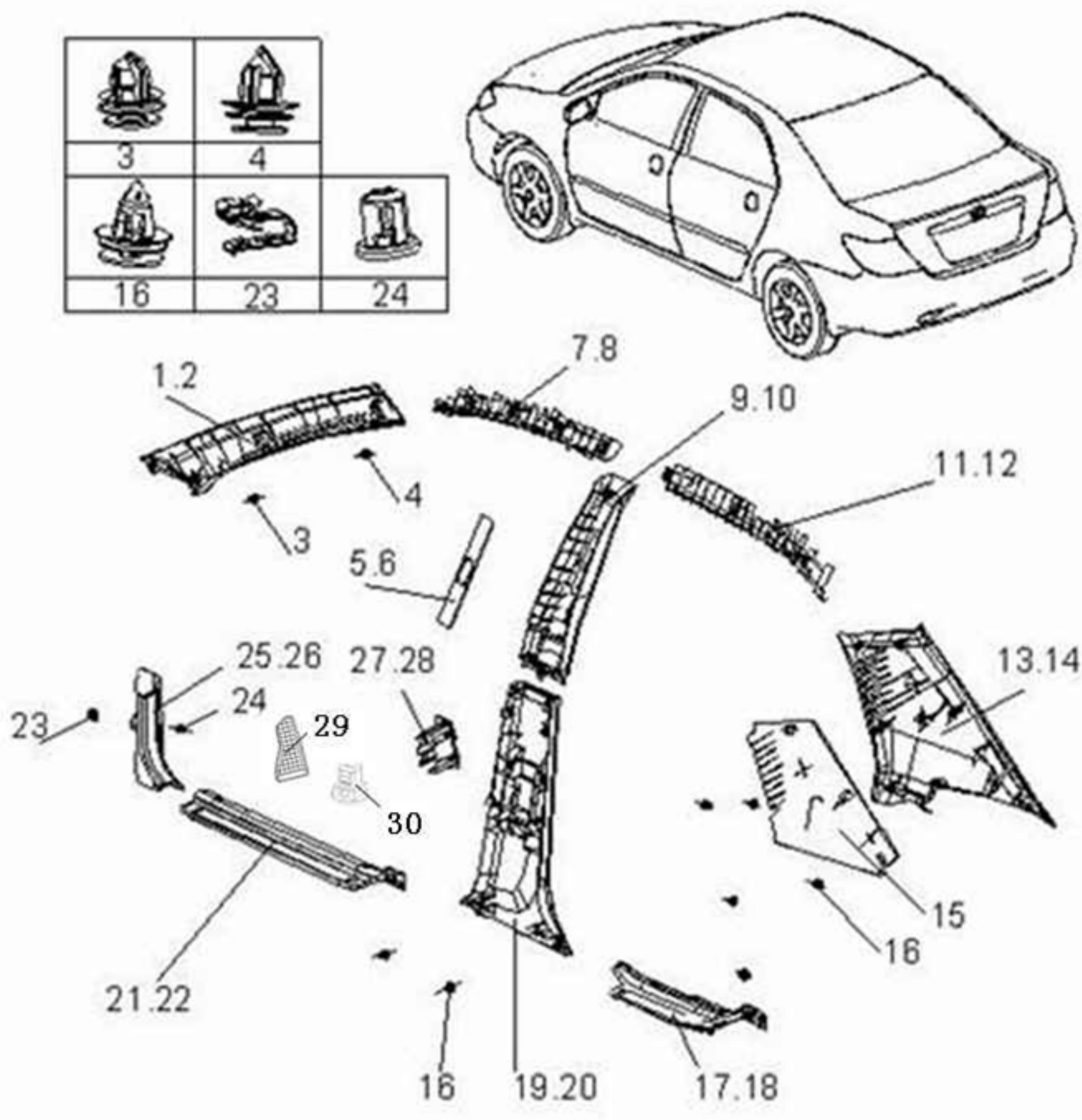
图 4-3-8

序号 No.	零件编号 Part No.	名称 Description		数量 Qty	备注 Rem
		中文 Chinese	英文 English		
1	BYDF3-5608115	行李舱盖毡垫	CUSHION, LUGGAGE COMPARTMENT	1	
2	BYDF3-5608122	行李舱左角小毡垫	SMALL CUSHION, LUGGAGE COMARTMENT, L	1	
3	BYDF3-5608117	行李舱左毡垫	CUSHION, LUGGAGE COMARTMENT, L	1	
4	BL1806	行李舱毡垫卡扣	CLAMP	11	
5	BYDF3-5608121	行李舱毡垫	FLOOR CUSHION, LUGGAGE COMARTMENT	1	
6	BL2305	行李舱盖毡垫卡扣	CLAMP	11	
7	BYDF3-5608128	左右后尾角梯形隔垫	TRAPEZIFORM CUSHION PAD, LUGGAGE COMARTMENT, L/R	2	
8	BYDF3-5608110	行李舱左尾角盖板总成	SMALL COVER, LUGGAGE COMARTMENT, L	1	
9	BYDF3-5608130	备胎盖板总成	COVER, SPARE WHEEL	1	
101	BYDF3-5608120	行李舱右尾角盖板总成	COVER ASSY, BOOT BACK, R	1	
11	BYDF3-5608118	行李舱右毡垫	FELD PAD, BOOT, R	1	
12	BYDF3-5608123	行李舱右角小毡垫	SMALL COVER, LUGGAGE COMARTMENT, R	1	
13	BYDF3-5602111	后围踏板	PEDAL, REAR RAIL	1	

图 4-3-9

序号No.	零件编号Part No.	名称Description		数量Qty	备注Rem
		中文Chinese	英文English		
1	BYDF3-5402113	左A柱上护板	UPPER PANEL, "A" PILLAR, L	1	
2	BYDF3-5402114	右A柱上护板	UPPER PANEL, "A" PILLAR, R	1	
3	BL1008	A柱上护板固定卡扣 I	FIXED CLAMP I, UPPER PANEL, "A" PILLAR	2	
4	BL1108	A柱上护板固定卡扣 II	FIXED CLAMP II, UPPER PANEL, "A" PILLAR	2	
5	BYDF3-5402171	左安全带上调节器面板	COVER, ADJUSTOR, UPPER SAFETY BELT, L	1	
6	BYDF3-5402172	右安全带上调节器面板	COVER, ADJUSTOR, UPPER SAFETY BELT, R	1	
7	BYDF3-5402131	左侧面腹板前内衬	FRONT INNER PAD, TRIM SHIELD, L	1	
8	BYDF3-5402132	右侧面腹板前内衬	FRONT INNER PAD, TRIM SHIELD, R	1	
9	BYDF3-5402123	左B柱上护板	UPPER PANEL, "B" PILLAR, L	1	
10	BYDF3-5402124	右B柱上护板	UPPER PANEL, "B" PILLAR, R	1	
11	BYDF3-5402133	左侧面腹板后内衬	REAR INNER PAD, TRIM SHIELD, L	1	
12	BYDF3-5402134	右侧面腹板后内衬	REAR INNER PAD, TRIM SHIELD, R	1	
13	BYDF3-5402125	左C柱上护板	UPPER PANEL, "C" PILLAR, L	1	
14	BYDF3-5402126	右C柱上护板	UPPER PANEL, "C" PILLAR, R	1	
15	BYDF3-5402155	C柱护板内毡垫	INNER CUSHION, PANEL, "C" PILLAR	2	

16	BL1208	C柱护板卡扣	CLAMP, PANEL, "C" PILLAR	14	
17	BYDF3-5402117	左后门门槛护板	PEDAL, DOORSILL, REAR DOOR, L	1	
18	BYDF3-5402118	右后门门槛护板	PEDAL, DOORSILL, REAR DOOR, R	1	
19	BYDF3-5402121	左B柱下护板	LOWER PANEL, "B" PILLAR, L	1	
20	BYDF3-5402122	右B柱下护板	LOWER PANEL, "B" PILLAR, R	1	
21	BYDF3-5402115	左前门门槛护板	PEDAL, DOORSILL, FRONT DOOR, L	1	
22	BYDF3-5402116	右前门门槛护板	PEDAL, DOORSILL, FRONT DOOR, R	1	
23	BYDF3-5403112	卡簧	SNAP RING	2	
24	BL0909	A柱下护板固定卡扣	FIXED CLAMP, LOWER PANEL, "A" PILLAR	2	
25	BYDF3-5402111	左A柱下护板	LOWER PANEL, "A" PILLAR, L	1	
26	BYDF3-5402112	右A柱下护板	LOWER PANEL, "A" PILLAR, R	1	
27	BYDF3-5402127	左B柱线束卡套	WIRING HARNESS CLAMP, "B" PILLAR, L	1	
28	BYDF3-5402128	右B柱线束卡套	WIRING HARNESS CLAMP, "B" PILLAR, R	1	
29	BYDF3-5302111	驾驶员左踏板	DRIVER'S REST PEDAL	1	
30	BYDF3-5302139	驾驶员左踏板固定卡扣	FIXED CLIP, DRIVER'S REST PEDAL	2	



4-3-10

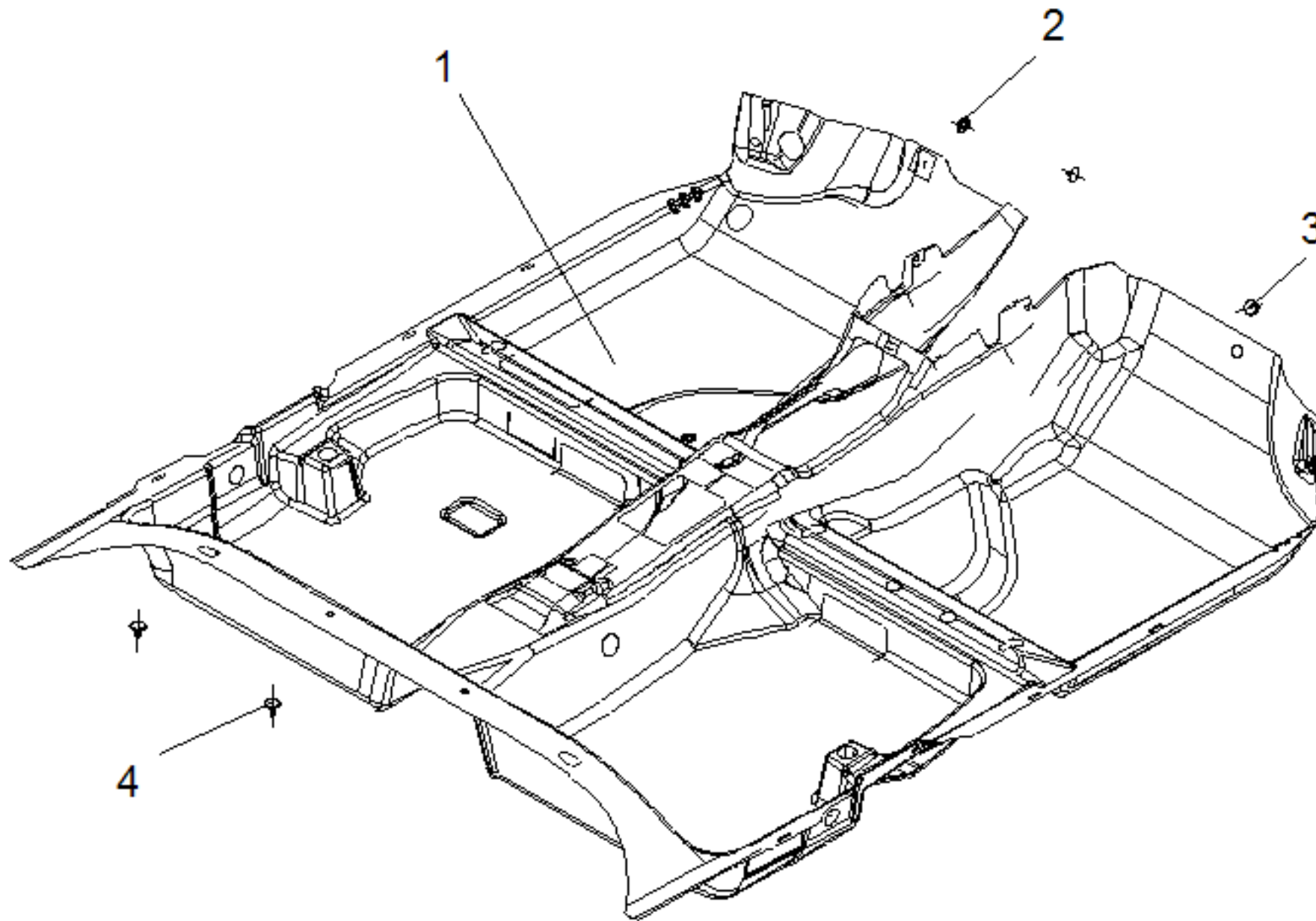
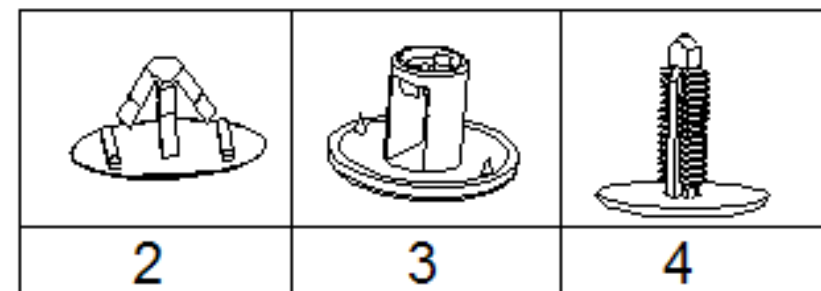


图 4-3-10







序号 No.	零件编号 Part No.	名称 Description		数量 Qty	备注 Rem
		中文 Chinese	英文 English		
1	BYDF3-8210100	地毯总成	CARPET ASSY	1	
2	BL3507	地毯前左固定卡扣	FIXED CLAMP,CARPET, FL	2	
3	BL3410	地毯前右固定卡扣	FIXED CLAMP,CARPET, FR	1	
4	BL3307	地毯后固定卡扣	REAR FIXED CLIP, CARPET	2	

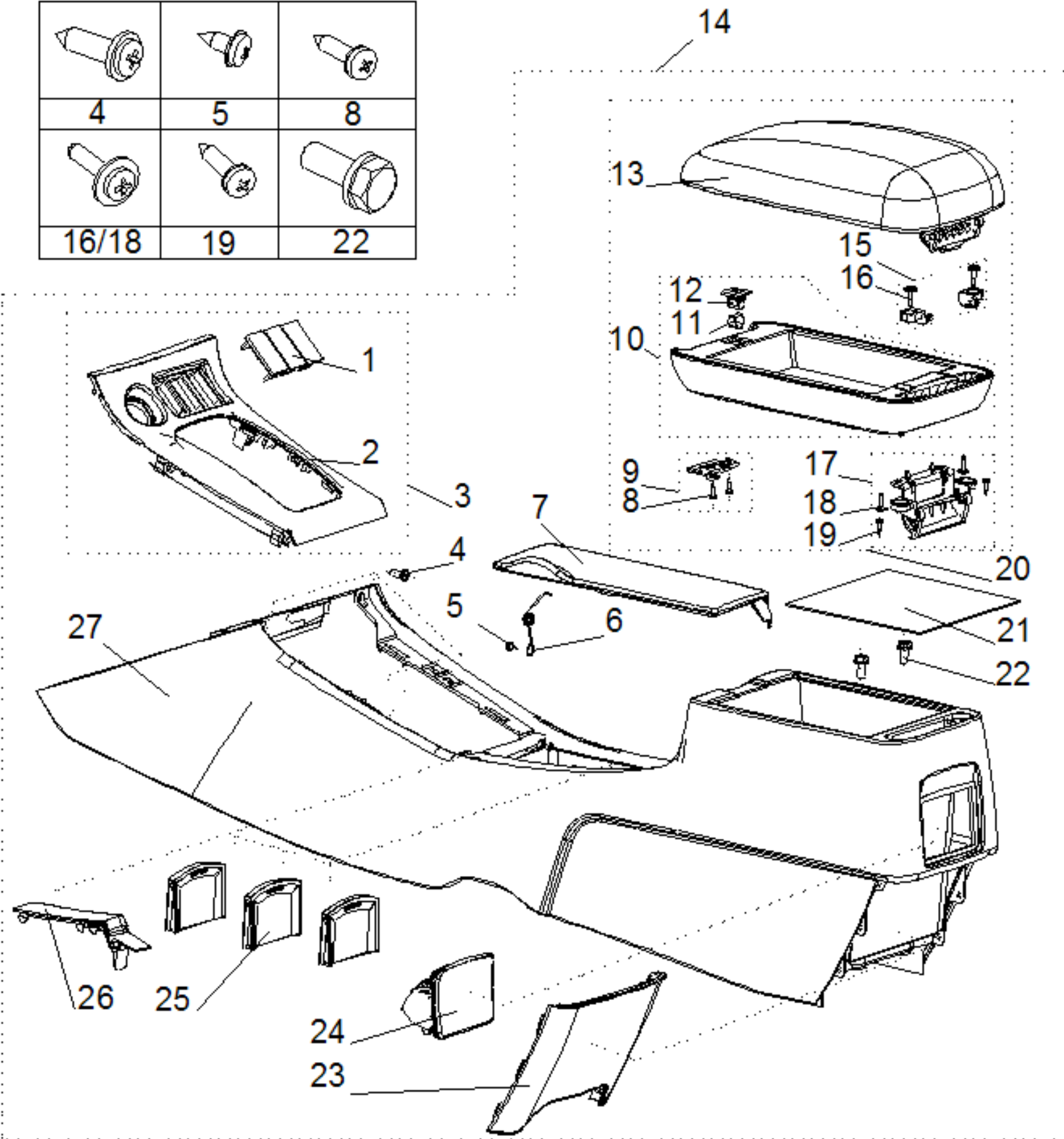


4-3-11

序号 No.	零件编号 Part No.	名称 Description		数量 Qty	备注 Rem
		中文 Chinese	英文 English		
1	BYDF3-5305227	调速面板堵盖	PLUG , SHIFTING PLATE	3	
	BYDF3-530522B				
2	BYDF3-5305213	调速面板	SHIFTING PLATE	1	
	BYDF3-5305213B				
3	BYDF3-5305490	调速面板组件	SHIFTING PLATE COMP	1	
	BYDF3-5305490B				
4	BYDF3-5311117	L16带承载面十字 头C型螺钉	CROSSED HEAD SCREW L16 C-TYPE	4	
5	Q2203595	自攻螺钉	SCREW	1	
6	BYDF3-5305226	前杯托盖外板弹簧	SPRING, OUTER PANEL, COVER, FRONT CUP HOLDER	1	
7	BYDF3-5305470	前杯托盖组件	COVER COMP, FRONT CUP HOLDER	1	
8	Q2203513	中央置物盒弹簧开 关机构安装螺钉	MOUNTED SCREW , SWITCH MECHANISM	2	
9	BYDF3-5305440	中央置物盒弹簧开 关机构小总成	SWITCH MECHANISM SUB-ASSY, CONSOLE BOX	1	
10	BYDF3-5305460	中上小置物盒下盖 总成	MIDDLE LAYER ASSY,	1	
11	BYDF3-5305419	中上小置物盒盖开 关下卡座弹簧	SPRING, SWITCH, GLOVE BOX	1	
12	BYDF3-5305418	中上小置物盒盖开 关下卡座	CLAMP HOLDER, SWITCH, GLOVE BOX	1	
13	BYDF3-5305450	中上小置物盒上盖 总成	UPPER COVER ASSY , GLOVE BOX	1	

14	BYDF3-5305400	中央通道总成	CENTRAL TUNNEL ASSY	1	
15	BYDF3-5305420	中央置物盒上翻转铰 链机构小总成	HINGE SUB-ASSY , CONSOLE BOX	1	
16	Q2203516A	中央置物盒上翻转铰 链机构安装螺钉	MOUNTED SCREW, HINGE , CONSOLE BOX	2	
17	BYDF3-5305430	中央置物盒下翻转铰 链机构小总成	HINGE SUB-ASSY, CONSOLE BOX	1	
18	Q2203516A	中央置物盒下翻转铰 链本体安装螺钉	MOUNTED SCREW, HINGE, CONSOLE BOX	2	
19	Q2204816	中央置物盒下翻转铰 链机构安装螺钉	MOUNTED SCREW, HINGE , CON SOLE BOX	2	
20	BYDF3-5305410	中上小置物盒总成	UPPER GLOVE BOX ASSY	1	
21	BYDF3-5305339	中央置物盒内毡垫	INNER CUSHION , CONSOLE BOX	1	
22	Q1400625	安装螺栓	MOUNTED SCREW	2	
23	BYDF3-5305216	中央通道后护板	REAR SHIELD , CENTRAL TUNNEL	1	
24	BYDF3-8203120	后烟灰缸小总成	REAR ASHTRAY SUB- ASSY	1	
25	BYDF3-5305215	前杯托隔板	SEPARATOR , FRONT CUP HOLDER	3	
26	BYDF3-5305480	手刹盖板组件	COVER COMP PARKING BRAKE HANDLE	1	
27	BYDF3-5305211	中央通道护板	SHIELD , CENTRAL TUNNEL	1	

		
4	5	8
		
16/18	19	22



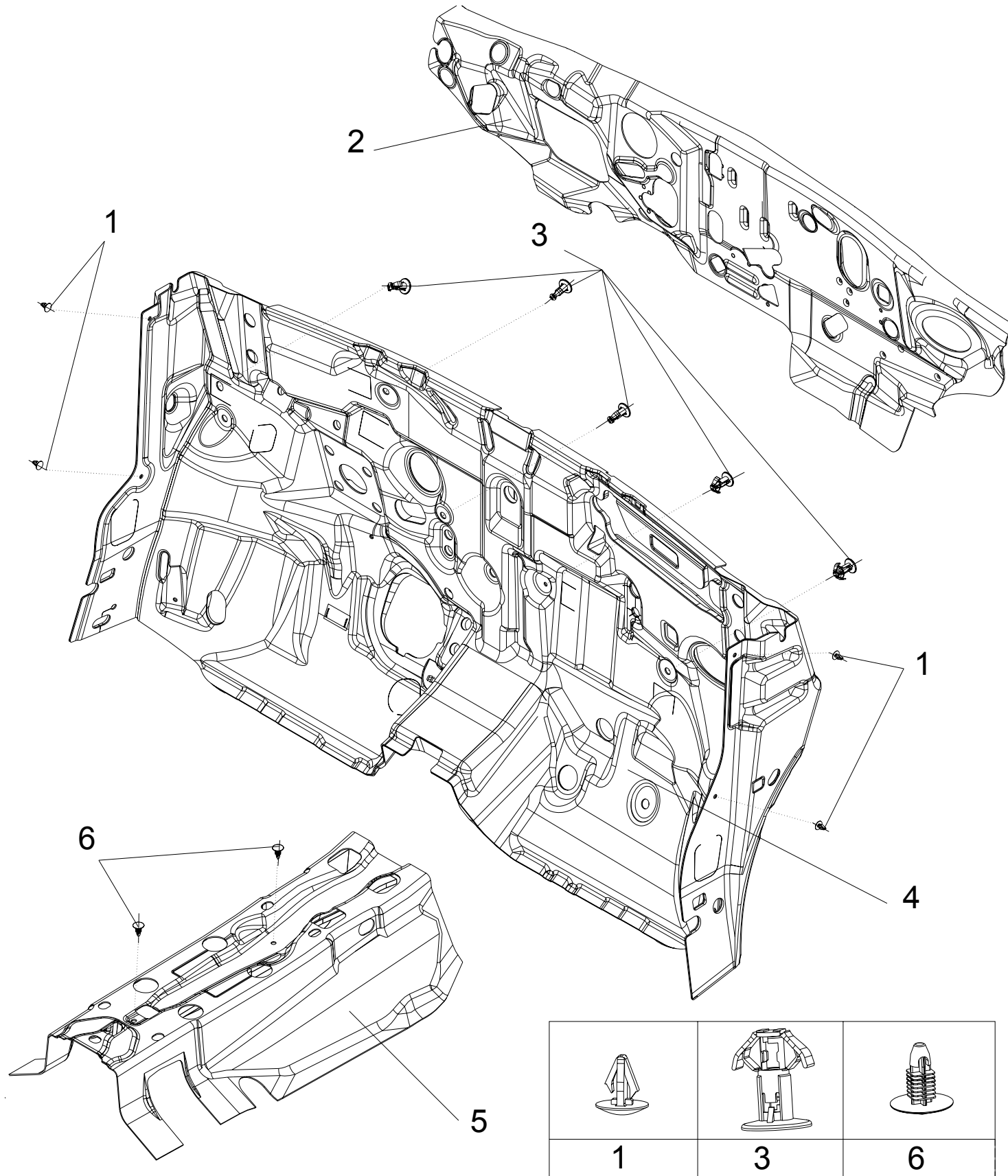


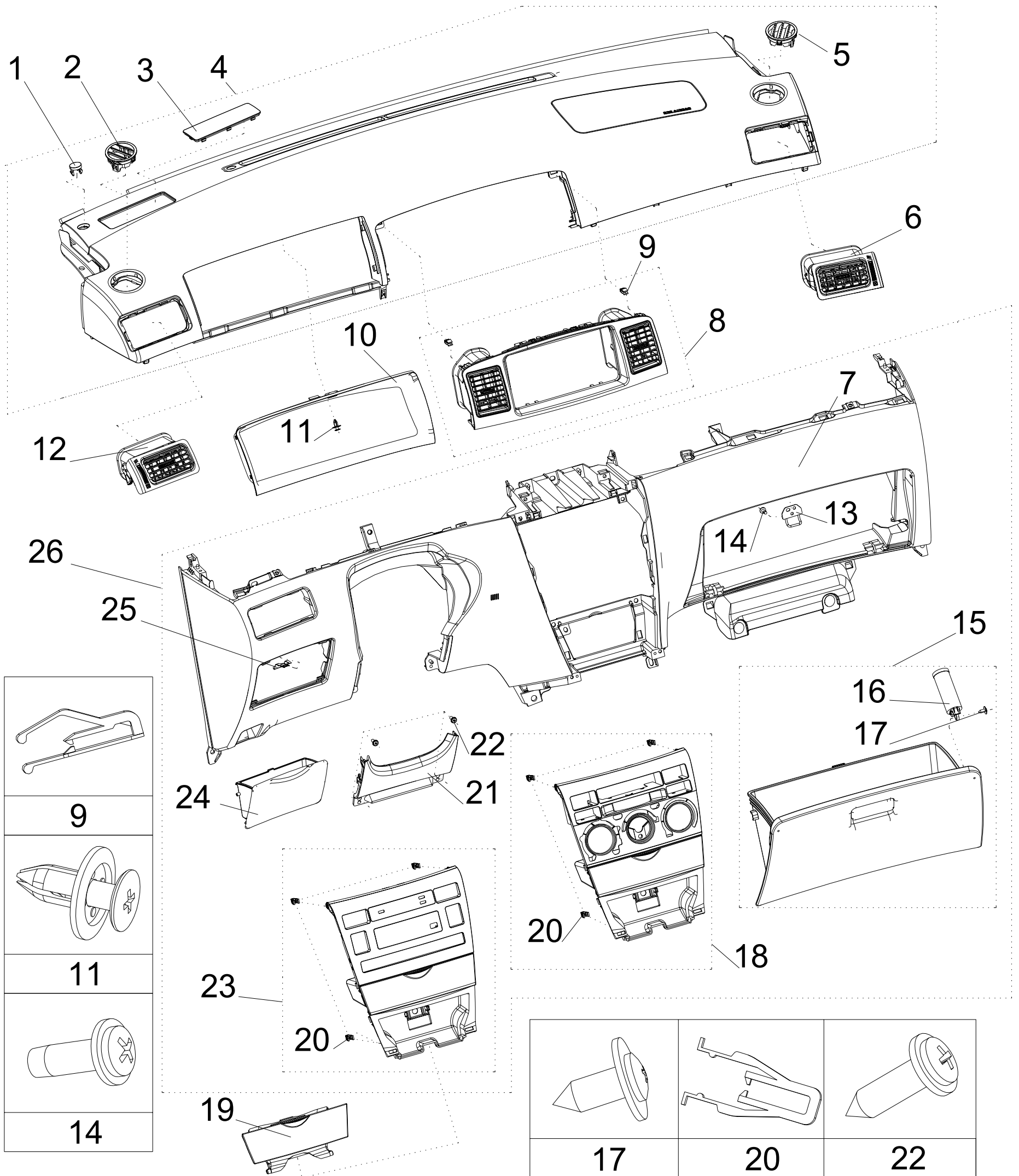
图 4-3-12

序号No.	零件编号 Part No.	名称 Description		数量 Qty	备注 Rem
		中文 Chinese	英文 English		
1	BL0613	前围板隔热层固定卡扣C	FIXED CLAMP C, HEAT INSULATOR, FRONT RAIL	4	
2	BYDF3-5310112	机舱隔热层	HEAT INSULATOR,CABLE	1	
3	BL0612	前围板隔热层固定卡扣B	FIXED CLAMP B, HEAT INSULATOR, FRONT RAIL	5	
4	BYDF3-5310120	前围隔热层总成	HEAT INSULATOR ASSY, FRONT RAIL	1	
5	BYDF3-5310110	副仪表台隔热层总成	HEAT INSULATOR ASSY,SECOND INSTRUMENT PANEL	1	
6	BL5108	副仪表台隔热层固定卡扣	FIXED CLAMP, HEAT INSULATOR,SECOND INSTRUMENT PANEL	2	

4-3-13

图 4-3-13					
序号 No.	零件编号 Part No.	名称 Description		数量 Qty	备注 Rem
		中文 Chinese	英文 English		
1	BYDF3-5305218	左前小堵盖	FRONT PLUG, L	1	
2	BYDF3-5305250	左除霜风口	DEFROSTING VENT,L	1	
3	BYDF3-5305233	车速投影仪孔堵盖	PLUG,VEHICLE SPEED PROJECTION INSTRUMENT	1	
4	BYDF3-5305210	仪表台上护板小总成	SHIELD SUB-ASSY, INSTRUMENT PANEL UPPER	1	
5	BYDF3-5305260	右除霜风口	DEFROSTING VENT,R	1	
6	BYDF3-5305280	右风口小总成	VENT SUB-ASSY,R	1	
	BYDF3-5305280B				
7	BYDF3-5305239	仪表板下护板	LOWER SHIELD, INSTRUMENT PANEL	1	
8	BYDF3-5305310	中风口小总成	CENTRAL VENT SUB- ASSY	1	
	BYDF3-5305310A				
	BYDF3-5305310B				
	BYDF3-5305310C				
9	BL0609	中风口固定卡扣	FIXED CLAMP, CENTRAL VENT	2	
10	BYDF3-5305229	组合仪表面罩	COVER,INSTRUMENT PANEL	1	
11	BL4008	组合仪表面罩卡扣	COVER CLAMP INSTRUMENT PANLE	1	
12	BYDF3-5305270	左风口小总成	VENT SUB-ASSY,L	1	
	BYDF3-5305270B				
13	BYDF3-5305354	右置物盒锁扣	LOCK CLAMP, GLOVE BOX,R	1	

14	BYDF3-5311118	连接螺钉	MOUNTED SCREW	1	
15	BYDF3-5305340	右置物盒总成	GLOVE BOX ASSY,R	1	
16	BYDF3-5305360	右置物盒限位气动拉簧小总成	LIMIT PNEUMATIC PULL SPRING ASSY,GLOVE BOX,R	1	
17	Q2215513	组合自攻螺钉	SCREW	1	
18	BYDF3-5305380	手动空调调节面板小总成	AIR CONDITIONER PANEL SUB-ASSY	1	
19	BYDF3-8203110	前烟灰缸小总成	FRONT ASHTRAY SUB-ASSY	1	
	BYDF3-8203110B				
20	BL0607	空调调节面板固定卡扣	FIXED CLAMP, AIR CONDITIONER PANEL	4	
21	BYDF3-5305513	方向盘下护板	LOWER SHIELD, STEERING WHEEL	1	
22	Q2215516	组合自攻螺钉	SCREW	2	
23	BYDF3-5305380B	自动空调调节面板小总成	AUTO AIR CONDITIONER ADJUSTING PANEL ASSY	1	
24	BYDF3-5305259	左小置物盒	GLOVE BOX,L	1	
25	BYDF3-5305269	左小置物盒锁紧簧片	LOCK SPRING, GLOVE BOX,L	1	
26	BYDF3-5305300	仪表板下护板总成	LOWER SHIELD ASSY, INSTRUMENT PANEL	1	



4-3-14

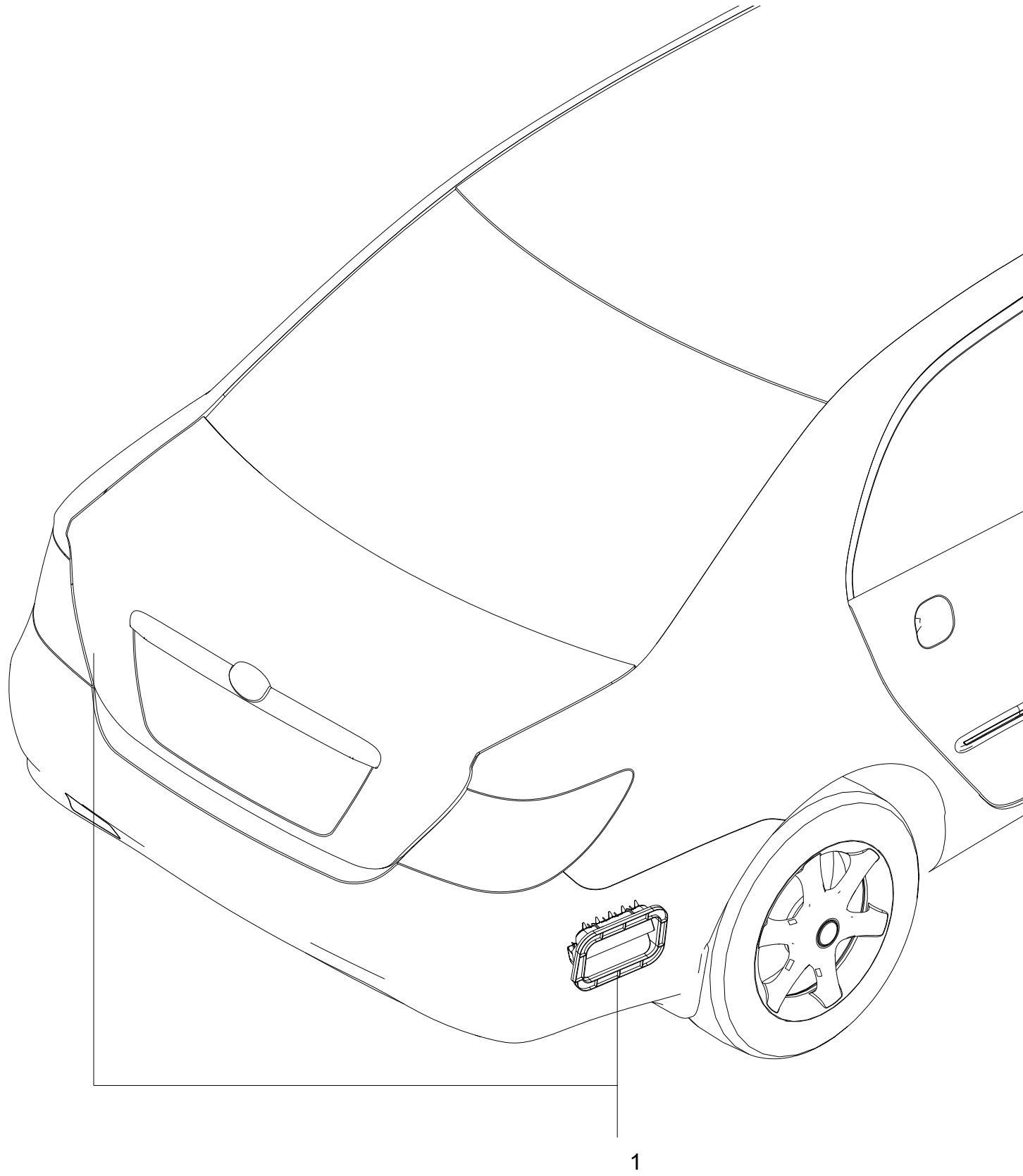


图 4-3-14					
序号 No.	零件编号 Part No.	名称 Description		数量 Qty	备注 Rem
		中文 Chinese	英文 English		
1	BYDF3-5402150	后保内左右风口总成	VENT ASSY, REAR BUMPER,R/L	2	