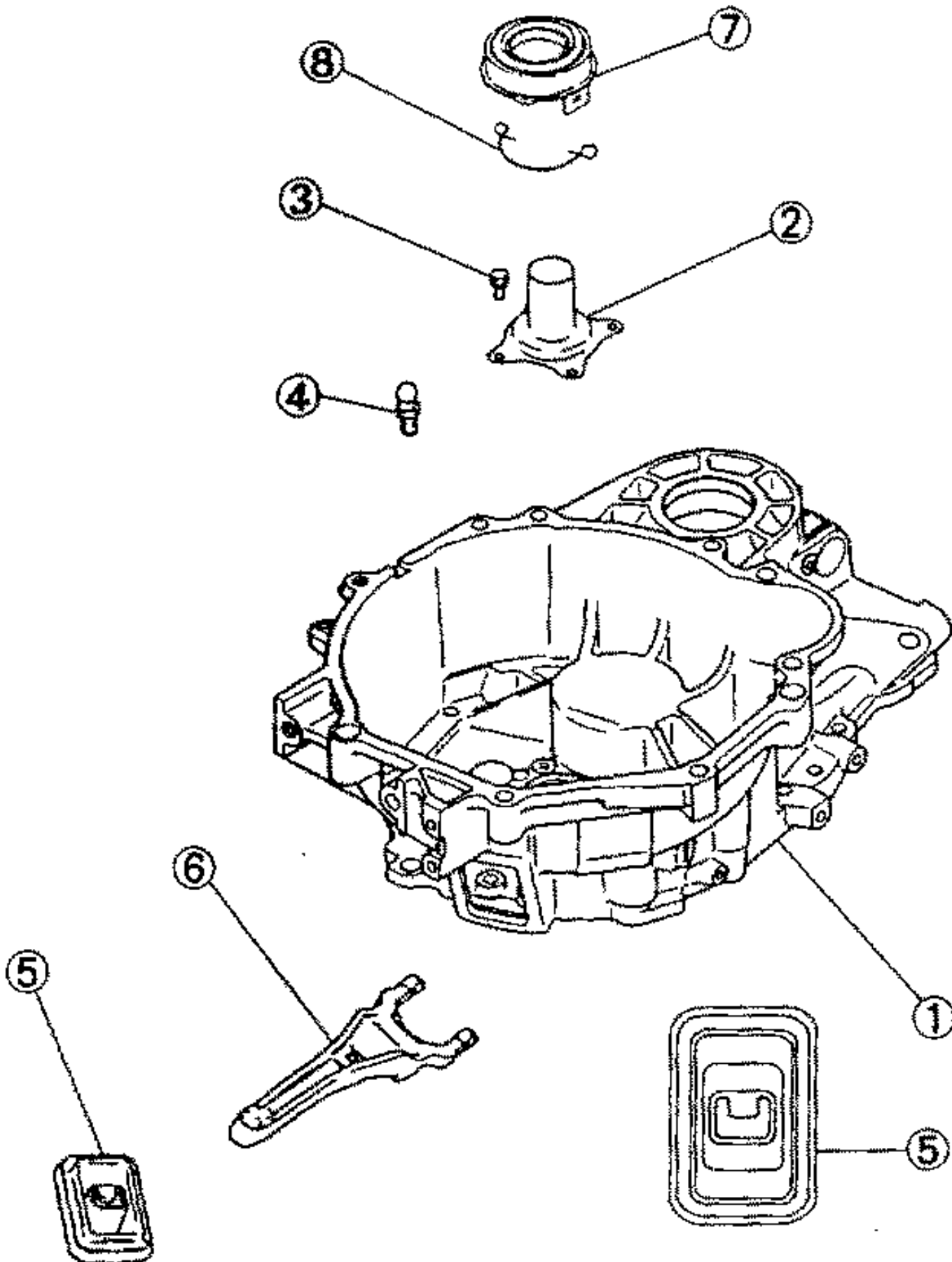


**Оглавление**

ILLUSTRATION 1-2-1 CLUTCH HOUSING.....	3
BS15-11-1701001 .....	3
HOUSING ASSY, CLUTCH.....	3
BS15-1602004 .....	3
RETAINING BRACKET, RELEASE BEARING.....	3
471Q-0140203 .....	3
FLANGE BOLT.....	3
BS15-1602005 .....	3
BALL-HEAD BOLT .....	3
BS15-1602007 .....	3
DUST BOOT .....	3
BS15-1602901 .....	3
RELEASE FORK ASSY .....	3
BS15-1602800 .....	3
RELEASE BEARING .....	3
BS15-1602006 .....	3
RETURNING SPRING .....	3
ILLUSTRATION 1-2-2 CLUTCH HOUSING SUBASSY.....	4
ILLUSTRATION 1-2-3 CLUTCH HOUSING SUBASSY.....	5
ILLUSTRATION 1-2-4 CLUTCH HOUSING ASSY.....	6
ILLUSTRATION 1-2-5 THIRD-FOURTH SHIFT FORK SHAFT ASSY .....	7
ILLUSTRATION 1-2-6 CLUTCH HOUSING SUBASSY.....	8
ILLUSTRATION 1-2-7 CONTROL SHAFT ASSY AND NEUTRAL RETURNING SPRING.....	9
ILLUSTRATION 1-2-8 BRACKET ASSY, SHIFT CABLE .....	10
ILLUSTRATION 1-2-9 BRACKET ASSY, CLUTCH HYDRAULIC PIPE.....	11
ILLUSTRATION 1-2-10 DIFFERENTIAL HOUSING.....	12
ILLUSTRATION 1-2-11 INPUT SHAFT .....	13
ILLUSTRATION 1-2-12 FOURTH SHIFT DRIVING GEAR ASSY .....	14
ILLUSTRATION 1-2-13 OUTPUT SHAFT .....	15
ILLUSTRATION 1-2-14 OUTPUT SHAFT .....	16
ILLUSTRATION 1-2-15 TRANSMISSION HOUS .....	17
ILLUSTRATION 1-2-16 SHIFTING SHAFT.....	18

图1-2-1					
序号 No.	零件编号 Part No.	名称 Description		数量 Qty	备注 Rem
		中文 Chinese	英文 English		
1	BS15-11-1701001	离合器壳体	HOUSING ASSY, CLUTCH	1	
2	BS15-1602004	分离轴承保持架	RETAINING BRACKET, RELEASE BEARING	1	
3	471Q-0140203	凸缘螺栓	FLANGE BOLT	4	
4	BS15-1602005	球头螺栓	BALL-HEAD BOLT	1	
5	BS15-1602007	防尘罩	DUST BOOT	1	
6	BS15-1602901	分离叉总成	RELEASE FORK ASSY	1	
7	BS15-1602800	分离轴承	RELEASE BEARING	1	
8	BS15-1602006	回位弹簧	RETURNING SPRING	1	



## ILLUSTRATION 1-2-2 CLUTCH HOUSING SUBASSY

图1-2-2					
序号 N o.	零件编号 Part No.	名称 Description		数量 Qty	备注 Rem
		中文 Chinese	英文 English		
1		离合器壳体分总成	HOUSING ASSY, CLUTCH		
2	BS15-1700800	油封(输入轴前)	OIL SEAL,FRONT END OF INPUT SHAFT	1	
3	BS15-1700009	导油器	OIL GUIDER	1	
4	BS15-1701802	圆柱滚子轴承(外圈)	NEEDLE BEARING (OUTSIDE)	1	
5	BS15-1700801	油封(半轴)	OIL SEAL, HALF SHAFT	1	

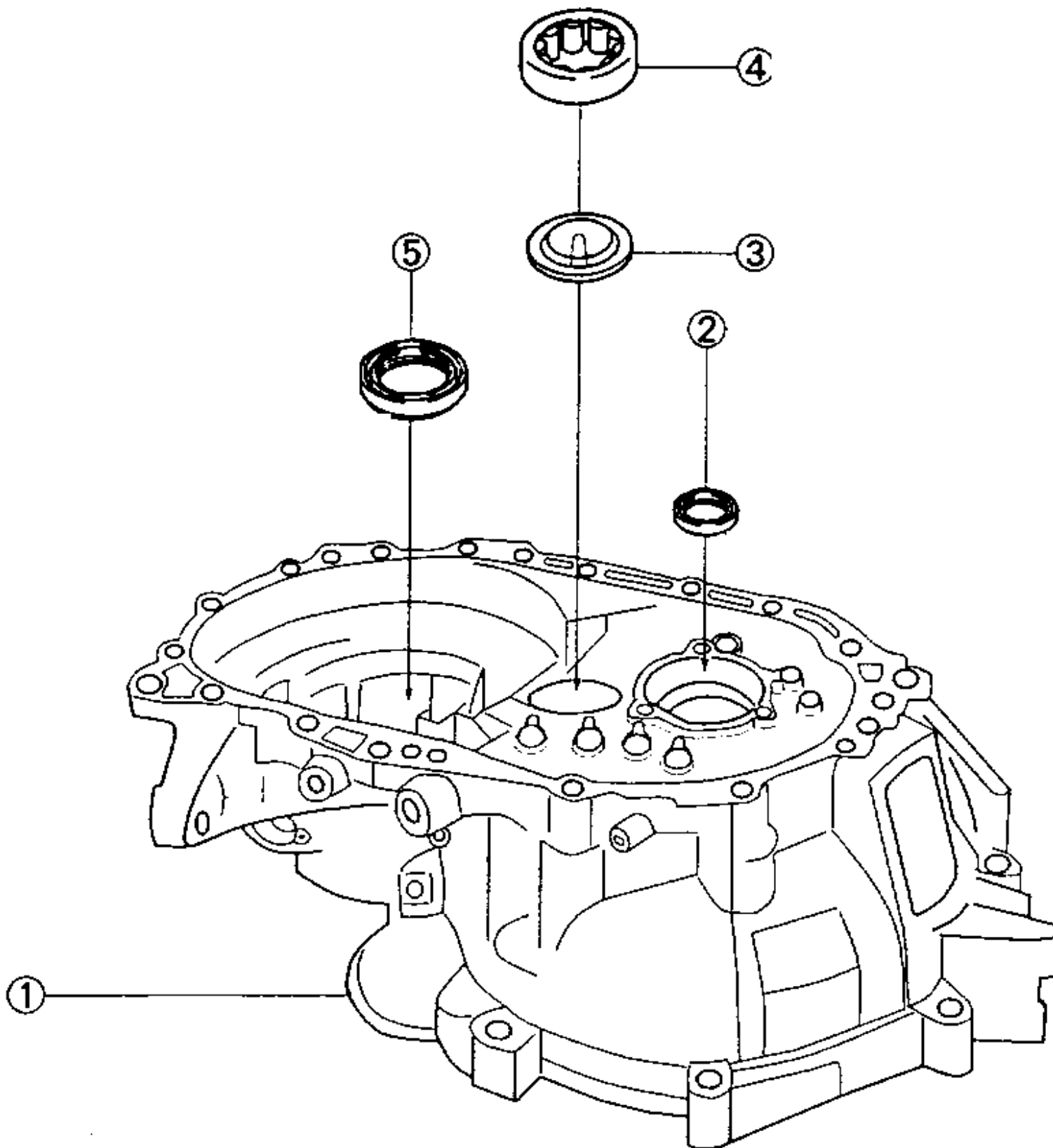


ILLUSTRATION 1-2-3 CLUTCH HOUSING SUBASSY

图1-2-3					
序号 No.	零件编号 Part No.	名称 Description		数量 Qty	备注 Rem
		中文 Chinese	英文 English		
1		离合器壳体分总成	HOUSING SUB-ASSY, CLUTCH	1	
2		差速器总成及主减从 动齿轮	DIFFERENTIAL ASSY AND DRIVEN GEAR,FINAL GEAR	1	
3	BS15-41- 3802900	车速传感器总成	VEHICLE SPEED SENSOR ASSY	1	
4	471Q-0240029	带垫圈的螺栓	BOLT & WASHER ASSY	1	
5	471Q-0472405	销	PIN	3	
6	BS15-1700004	衬套	BUSHER	1	
7	BS15-1700011	磁铁固定器	RETAINER, MAGNET	1	
8	BS15-1700012	磁铁	MAGNET	2	
9	BS15-1700005	前轴承保持架	RETAINING BRACKET, FRONT BEARING	1	
10	BS15-1700013	密封螺栓	SEALING BOLT	2	
11	471Q-0241253	螺栓垫片总成	BOLT & WASHER ASSY	1	
12		输入轴总成	INPUT SHAFT ASSY	1	
13		输出轴总成	OUTPUT SHAFT ASSY	1	

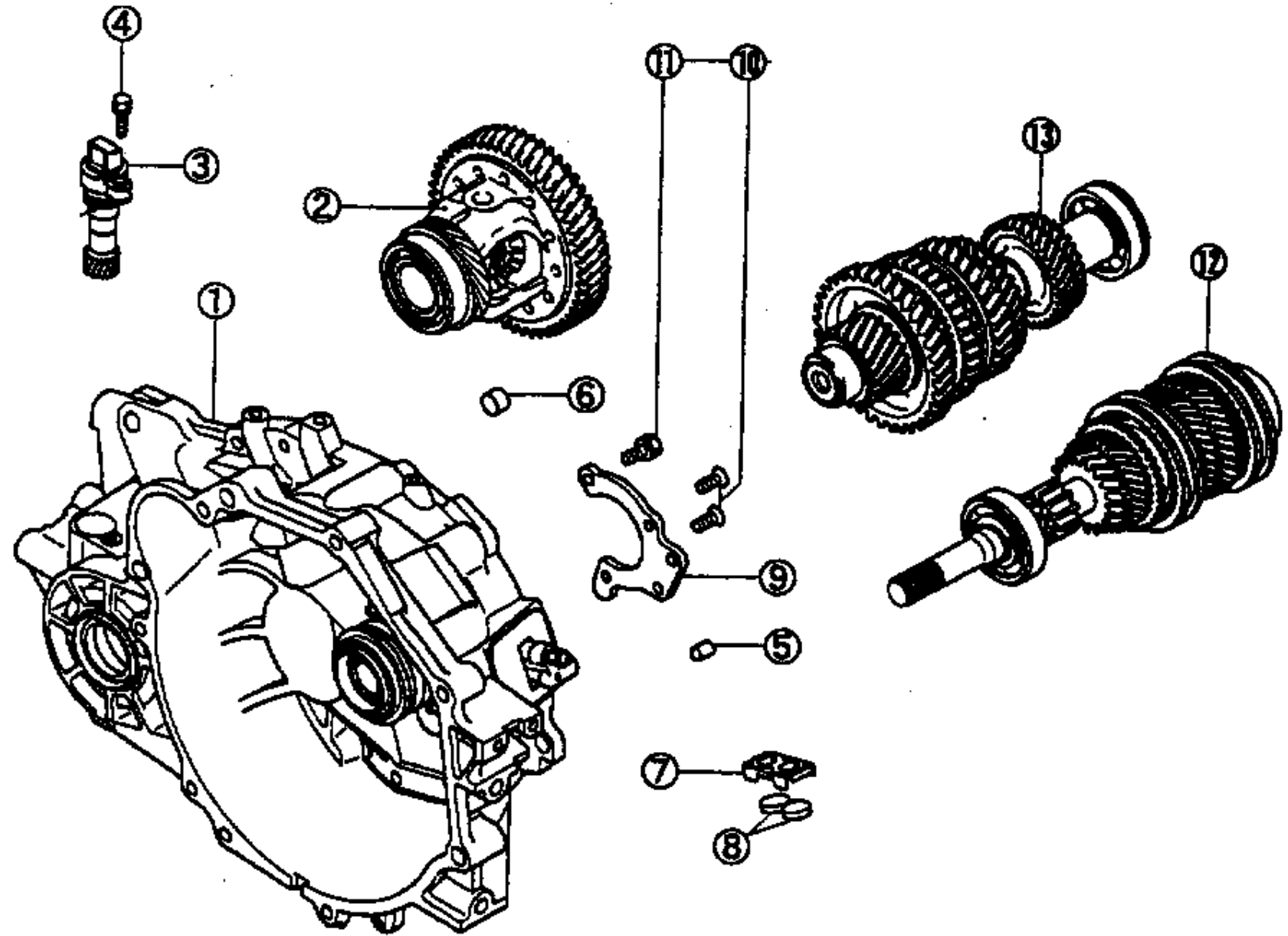


ILLUSTRATION 1-2-4 CLUTCH HOUSING ASSY

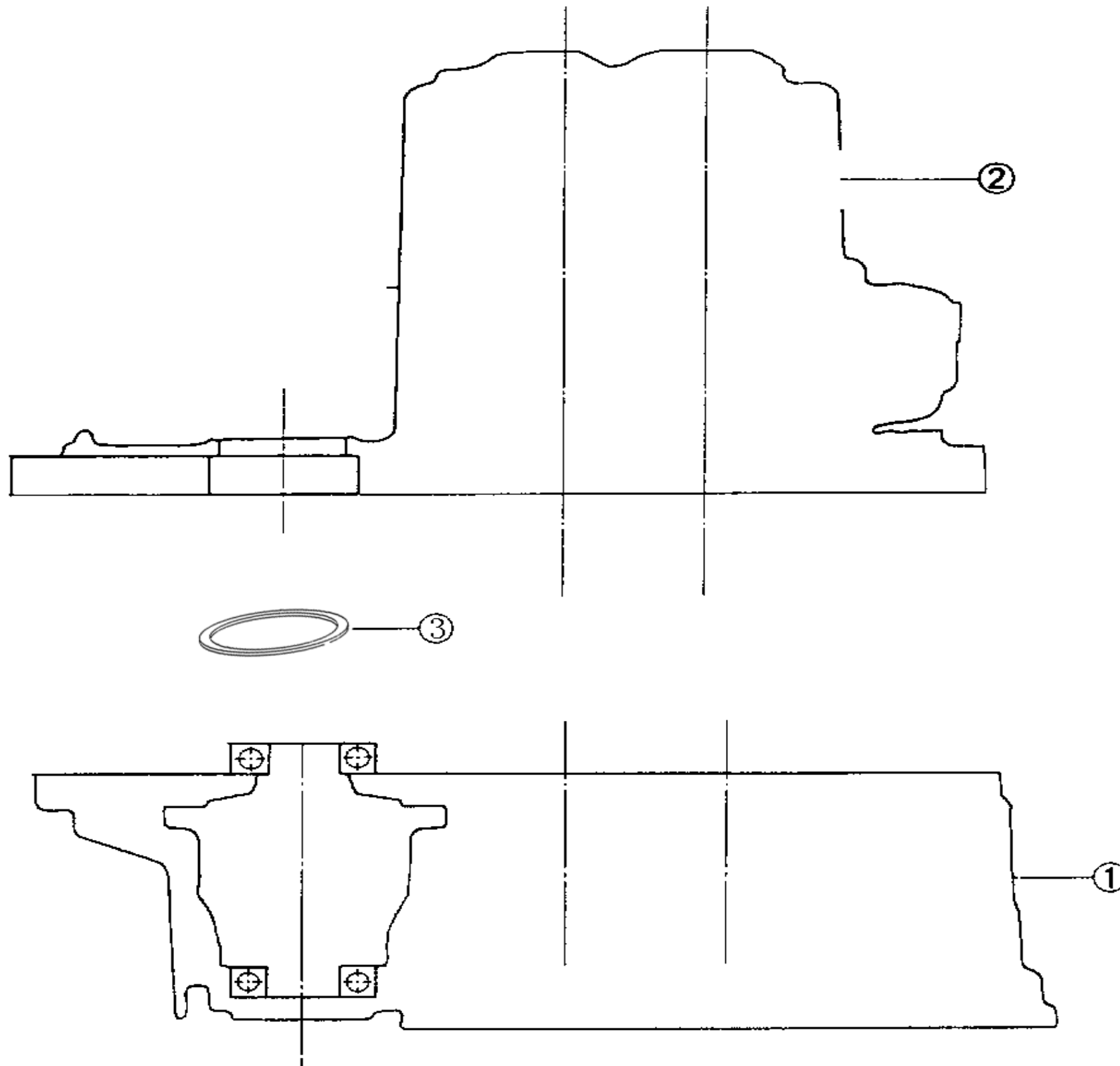


图1-2-4					
序号 No.	零件编号 Part No.	名称 Description		数量 Qty	备注 Rem
		中文 Chinese	英文 English		
1		离合器壳体总成	HOUSING ASSY,CLUTCH CLUTCH	1	
2		变速器分总成	TRANSMISSIO N SUB-ASSY	1	
3	BS15-1700015-1	差速器调整垫片 (1级)	ADJUSTING WASHER, DIFFERENTIAL	1	
	BS15-1700015-2	差速器调整垫片 (2级)			
	BS15-1700015-3	差速器调整垫片 (3级)			
	BS15-1700015-4	差速器调整垫片 (4级)			
	BS15-1700015-5	差速器调整垫片 (5级)			
	BS15-1700015-6	差速器调整垫片 (6级)			
	BS15-1700015-7	差速器调整垫片 (7级)			
	BS15-1700015-8	差速器调整垫片 (8级)			
	BS15-1700015-9	差速器调整垫片 (9级)			
	BS15-1700015-10	差速器调整垫片 (10级)			
	BS15-1700015-11	差速器调整垫片 (11级)			
	BS15-1700015-12	差速器调整垫片 (12级)			

ILLUSTRATION 1-2-5 THIRD-FOURTH SHIFT FORK SHAFT ASSY

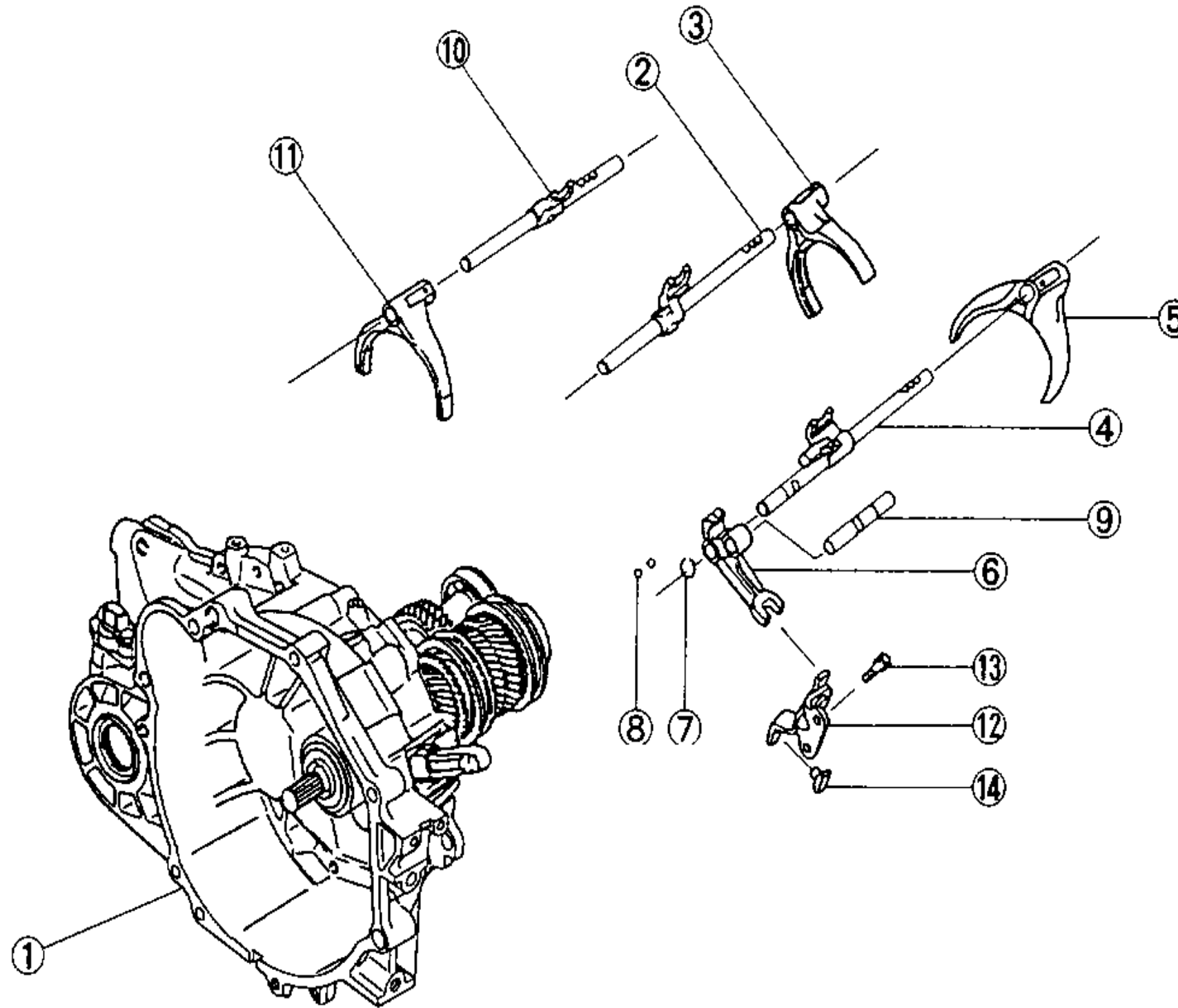


图1-2-5

序号 No.	零件编号 Part No.	名称 Description		数量 Qty	备注 Rem
		中文 Chinese	英文 English		
1		离合器壳体分总成及齿轮分总成	HOUSING SUB-ASSY, CLUTCH AND GEAR SUB-ASSY	1	
2	BS15-1702801	三、四档拨叉轴分总成	THIRD-FOURTH SHIFT FORK SHAFT ASSY	1	
3	BS15-1702002	三、四档拨叉	THIRD-FOURTH SHIFT FORK	1	
4	BS15-1702802	五、倒档拨叉轴分总成	FIFTH AND REVERSE SHIFT FORK SHAFT ASSY	1	
5	BS15-1702003	五、倒档拨叉	FIFTH AND REVERSE SHIFT FORK	1	
6	BS15-1702004	倒档换挡臂	SHIFT ARM, REVERSE	1	
7	471Q-0522408	弹性挡圈	SPRING RETAINING RING	1	
8	471Q-0540012	钢球	STEEL BALL	2	
9	BS15-1702008	倒档互锁轴	INTER-LOCK SHAFT, REVERSE	1	
10	BS15-1702800	一、二档拨叉轴分总成	FIRST-SECOND SHIFT FORK SHAFT SBU-ASSY	1	
11	BS15-1702001	一、二档拨叉	FIRST-SECOND SHIFT FORK	1	
12	BS15-1702904	倒档换挡轴总成	REVERSE SHIFT SHAFT ASSY	1	
13	BS15-1700804	螺栓垫片总成	BOLT & WASHER ASSY	2	
14	BS15-1702009	倒档换挡杆	REVERSE SHIFT ROD	1	

## ILLUSTRATION 1-2-6 CLUTCH HOUSING SUBASSY

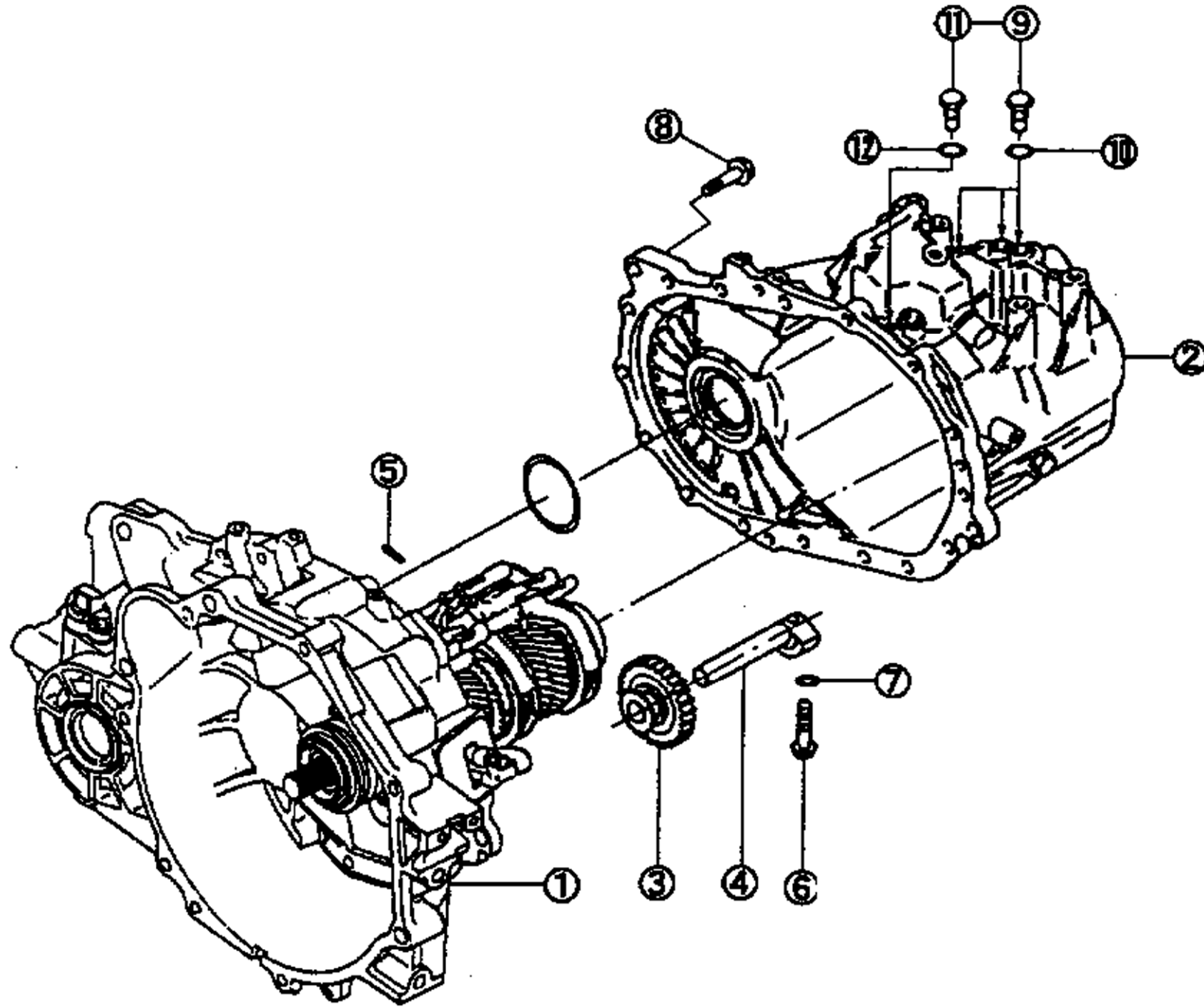


图1-2-6

序号 No.	零件编号 Part No.	名称 Description		数量 Qty	备注 Rem
		中文 Chinese	英文 English		
1		离合器壳体分总成及 齿轮分总成	HOUSING SUB- ASSY, CLUTCH AND GEAR SUB- ASSY	1	
2		变速器壳体分总成	TRANSMISSION	1	
3	BS15-1701905	倒档中间齿轮总成	REVERSE INTERMEDIAL GEAR ASSY	4	
4	BS15-1701033	倒档中间齿轮轴	REVERSE INTERMEDIAL GEAR SHAFT	1	
5	471Q-0472574	弹簧销	SPRING PIN	3	
6	BS15-1701034	倒档中间齿轮螺栓	BOLT, REVERSE INTERMEDIAL GEAR	1	
7	BS15-1701035	垫圈	WASHER	1	
8	471Q-0140266	凸缘螺栓	FLANGE BOLT	14	
9	BS15-1702906	弹簧组总成	SPRING SUIT ASSY	3	
10	471Q-0660035	垫圈	WASHER	3	
11	BS15-1702907	限位球总成	LIMITED BALL ASSY	1	
12	471Q-0660035	垫圈	WASHER	1	



ILLUSTRATION 1-2-7 CONTROL SHAFT ASSY AND NEUTRAL RETURNING SPRING

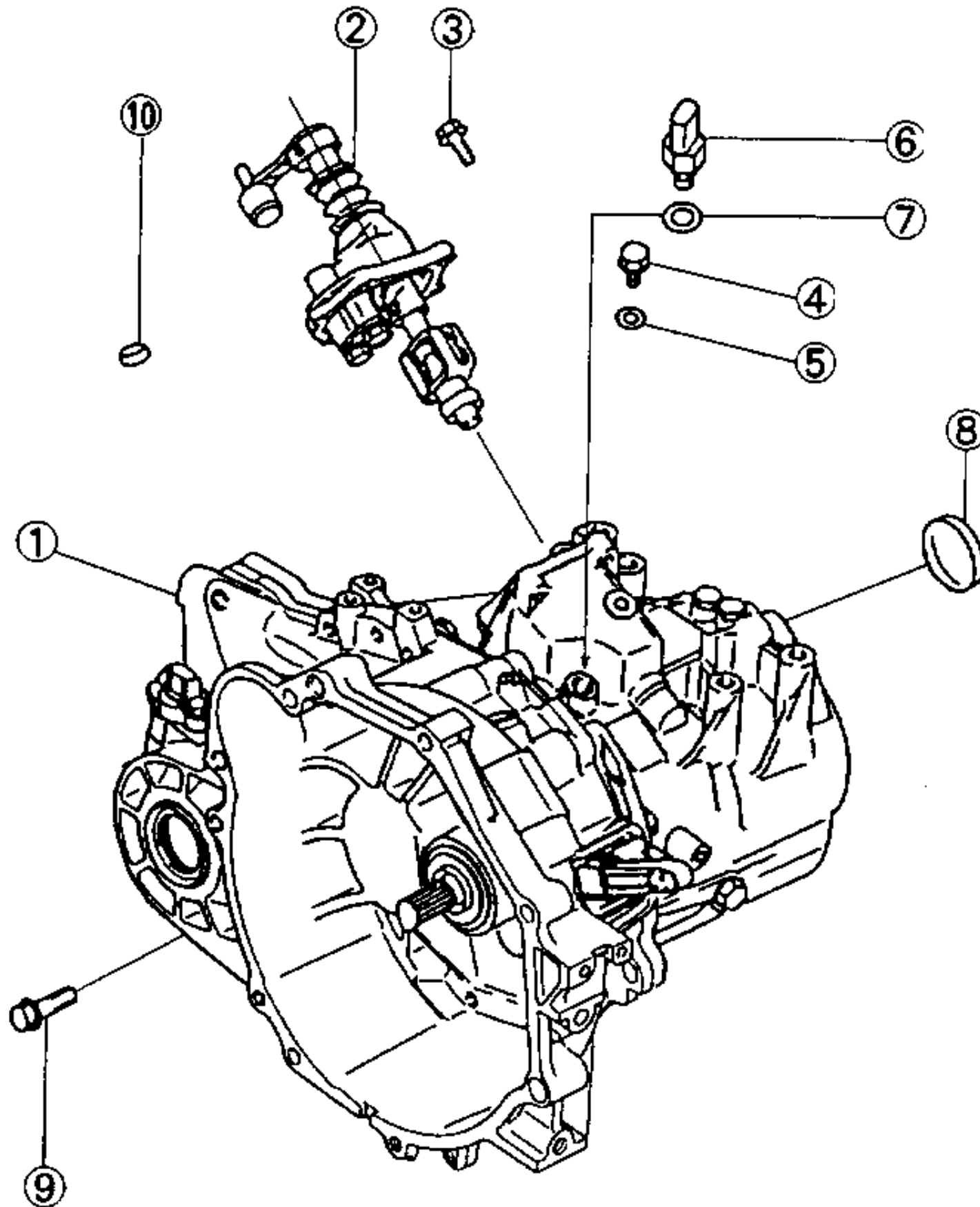


图1-2-7					
序号 No.	零件编号 Part No.	名称 Description		数量 Qty	备注 Rem
		中文 Chinese	英文 English		
1		变速器总成	TRANSMISSION ASSY	1	
2		控制轴总成及空档回位弹簧	CONTROL SHAFT ASSY AND NEUTRAL RETURNING SPRING	1	
3	471Q-0140227	凸缘螺栓	FLANGE BOLT	4	
4	BS15-1702039	互锁板螺栓	BOLT, INTER-LOCKED PLATE	1	
5	BS15-1701035	垫圈	WASHER	1	
6	BS15-3729800	倒车灯开关总成	REVERSE LIGHT SWITCH ASSY	1	
7	471Q-0660035	垫圈	WASHER	1	
8	BS15-1700802	密封盖	SEALING COVER	1	
9	471Q-0140266	凸缘螺栓	FLANGE BOLT	2	
10	471Q-0665533	碗形塞片	BOWL PLUG	1	

ILLUSTRATION 1-2-8 BRACKET ASSY, SHIFT CABLE

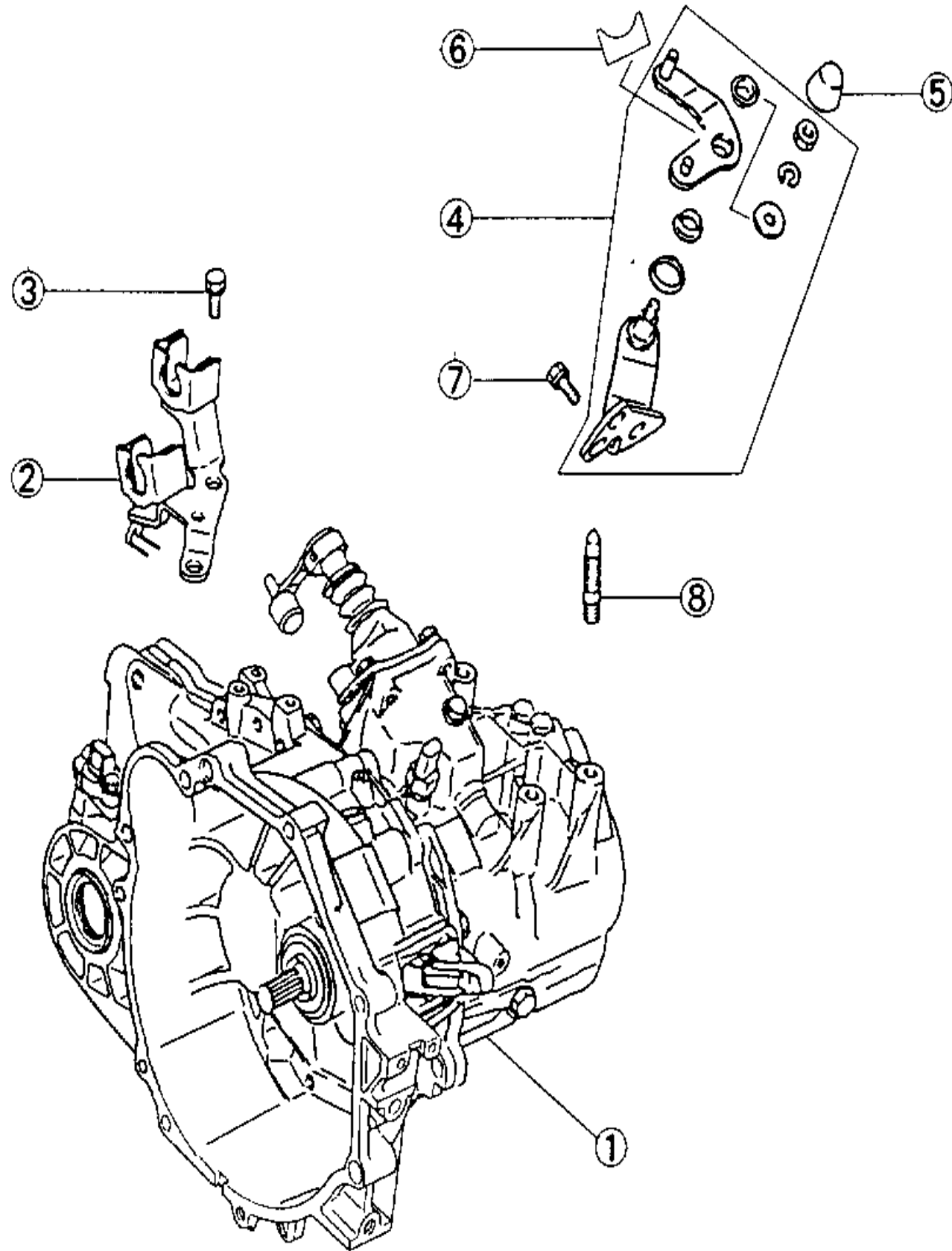


图1-2-8

序号 No.	零件编号 Part No.	名称 Description		数量 Qty	备注 Rem
		中文 Chinese	英文 English		
1		变速器总成	TRANSMISSION ASSY	1	
2	BS15-1702905	换挡钢索支架总成	BRACKET ASSY, SHIFT CABLE	1	
3	471Q-0241252	螺栓垫片总成	BOLT & WASHER ASSY	2	
4	BS15-1702902	选档轴总成	CHOSEN SHAFT ASSY	1	
5	BS15-1702031	防尘罩	DUST BOOT	1	
6	BS15-1702038	选档轴拨块	PAD, CHOSEN SHAFT	1	
7	471Q-0241252	螺栓垫片总成	BOLT & WASHER ASSY	2	
8	BS15-1700001	双头螺栓	STUD	4	

ILLUSTRATION 1-2-9 BRACKET ASSY, CLUTCH HYDRAULIC PIPE

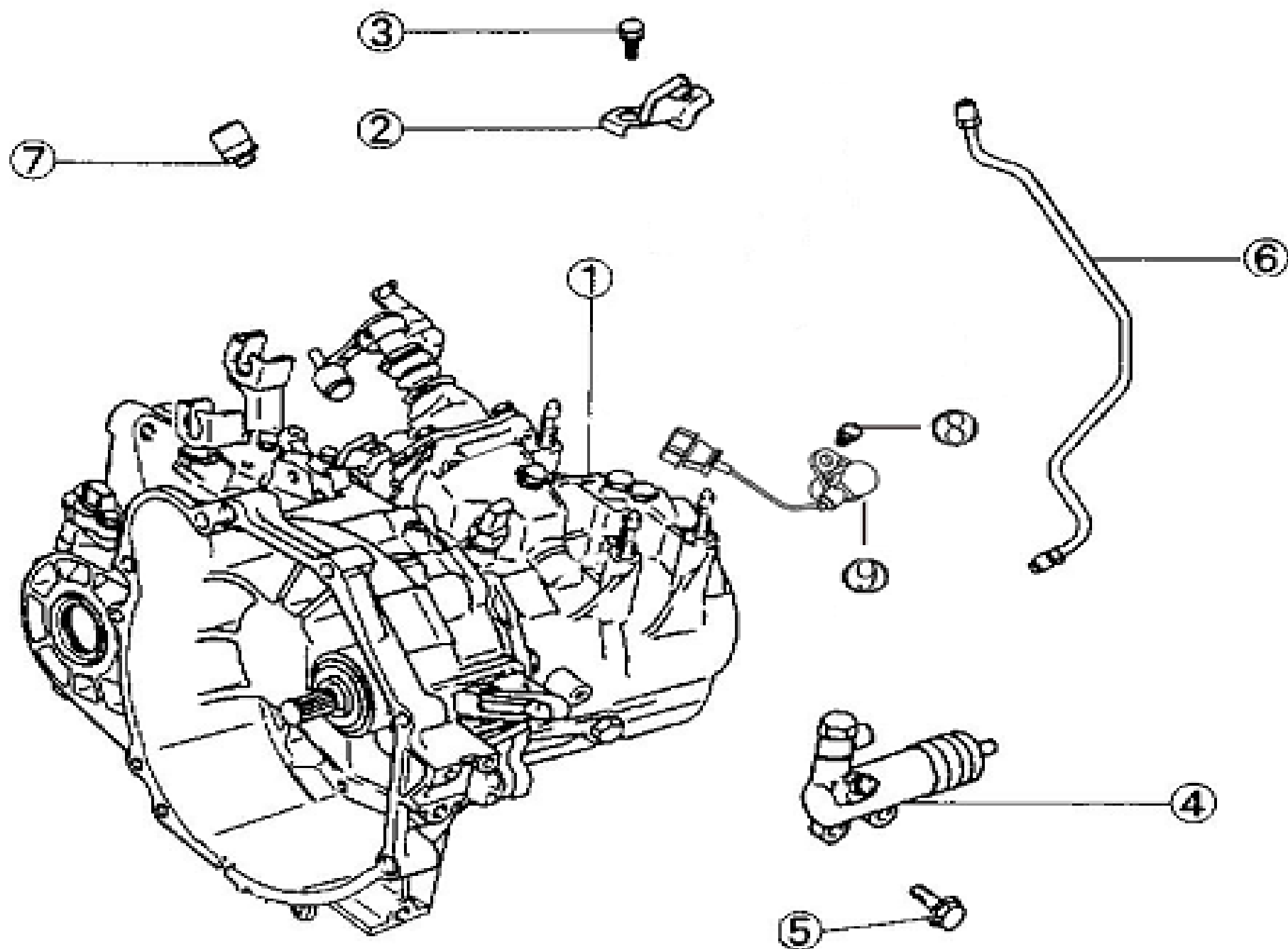


图1-2-9

序号 No.	零件编号 Part No.	名称 Description		数量 Qty	备注 Rem
		中文 Chinese	英文 English		
1		变速器总成	TRANSMISSION ASSY	1	
2	BS15-1602902	液压油管支架总成	BRACKET ASSY, CLUTCH HYDRAULIC PIPE	1	
3	471Q-0244852	螺栓垫片总成	BOLT & WASHER ASSY	1	
4	BS15-1602801	分离液压缸总成	RELEASE CYLINDER ASSY	1	
5	471Q-0241255	螺栓垫片总成	BOLT & WASHER ASSY	2	
6	BS15-1602900	液压油管	CLUTCH HYDRAULIC PIPE	1	
7	BS15-1700006	通气胶塞	RUBBER PLUG	1	
8	471Q-0241225	螺栓垫片总成	BOLT & WASHER ASSY	1	
9	476Q-1D-3813800	转速传感器	ROTATING SPEED SENSOR	1	

## ILLUSTRATION 1-2-10 DIFFERENTIAL HOUSING

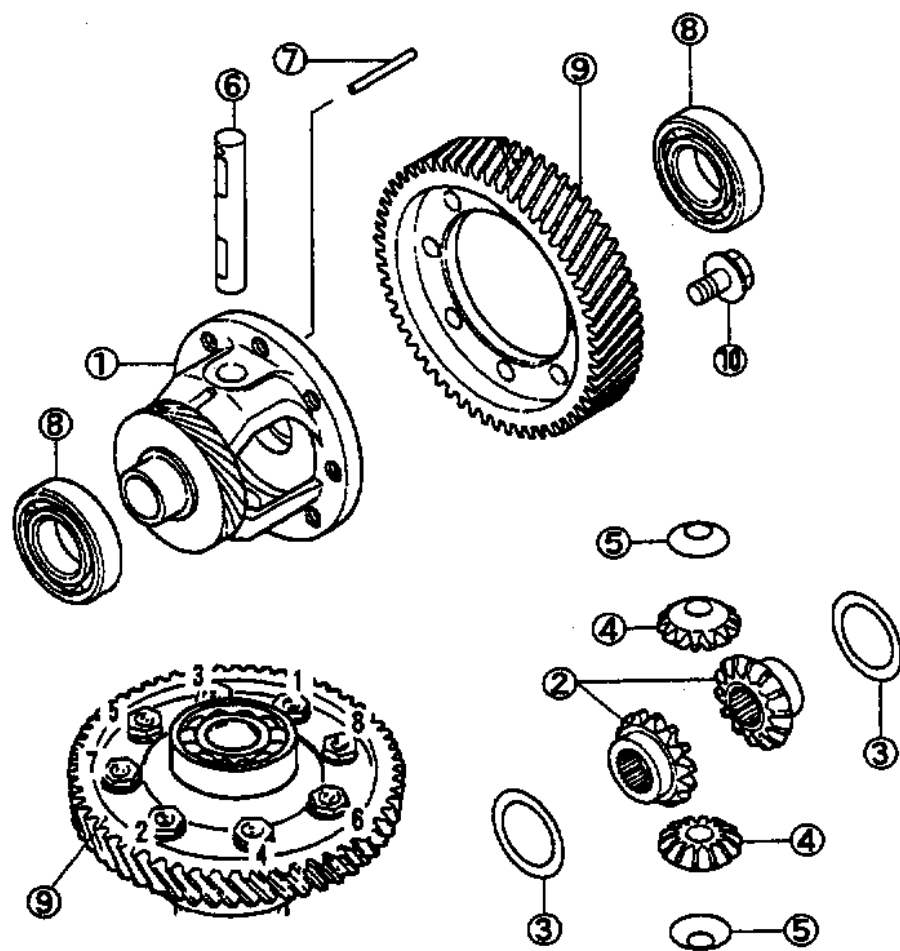


图1-2-10

序号 No.	零件编号 Part No.	名称 Description		数量 Qty	备注 Rem
		中文 Chinese	英文 English		
1	BS15-2303001 BS15-2303002	差速器壳体	HOUSING, DIFFERENTIAL	1	
2	BS15-2303006-1	半轴齿轮	GEAR, HALF SHAFT	1	
3	BS15-2303006-2	半轴齿轮调整垫片 (1级)	ADJUSTING WASHER, GEAR, HALF SHAFT	2	
	BS15-2303006-3	半轴齿轮调整垫片 (2级)			
	BS15-2303006-4	半轴齿轮调整垫片 (3级)			
	BS15-2303006-5	半轴齿轮调整垫片 (4级)			
	BS15-2303006-6	半轴齿轮调整垫片 (5级)			
	BS15-2303006-7	半轴齿轮调整垫片 (6级)			
	BS15-2303006-8	半轴齿轮调整垫片 (7级)			
	BS15-2303006-9	半轴齿轮调整垫片 (8级)			
	BS15-2303006-10	半轴齿轮调整垫片 (9级)			
	BS15-2303003	半轴齿轮调整垫片 (10级)			
4	BS15-2303003A BS15-2303005	差速器行星齿轮	PLANETARY GEAR, DIFFERENTIAL	2	
5	BS15-2303004	球面垫片	BALL-FACE WASHER	2	
6	BS15-2303007	行星齿轮轴	SHAFT, PLANETARY GEAR	1	
7	BS15-2303800	锁紧销	LOCKED PIN	1	
8	BS15-2302001	球轴承	BALL BEARING	2	
9	BS15-2302002	主减从动齿轮	DRIVEN GEAR, FINAL GEAR	1	
10		差速器螺栓	BOLT, DIFFERENTIAL	8	

ILLUSTRATION 1-2-11 INPUT SHAFT

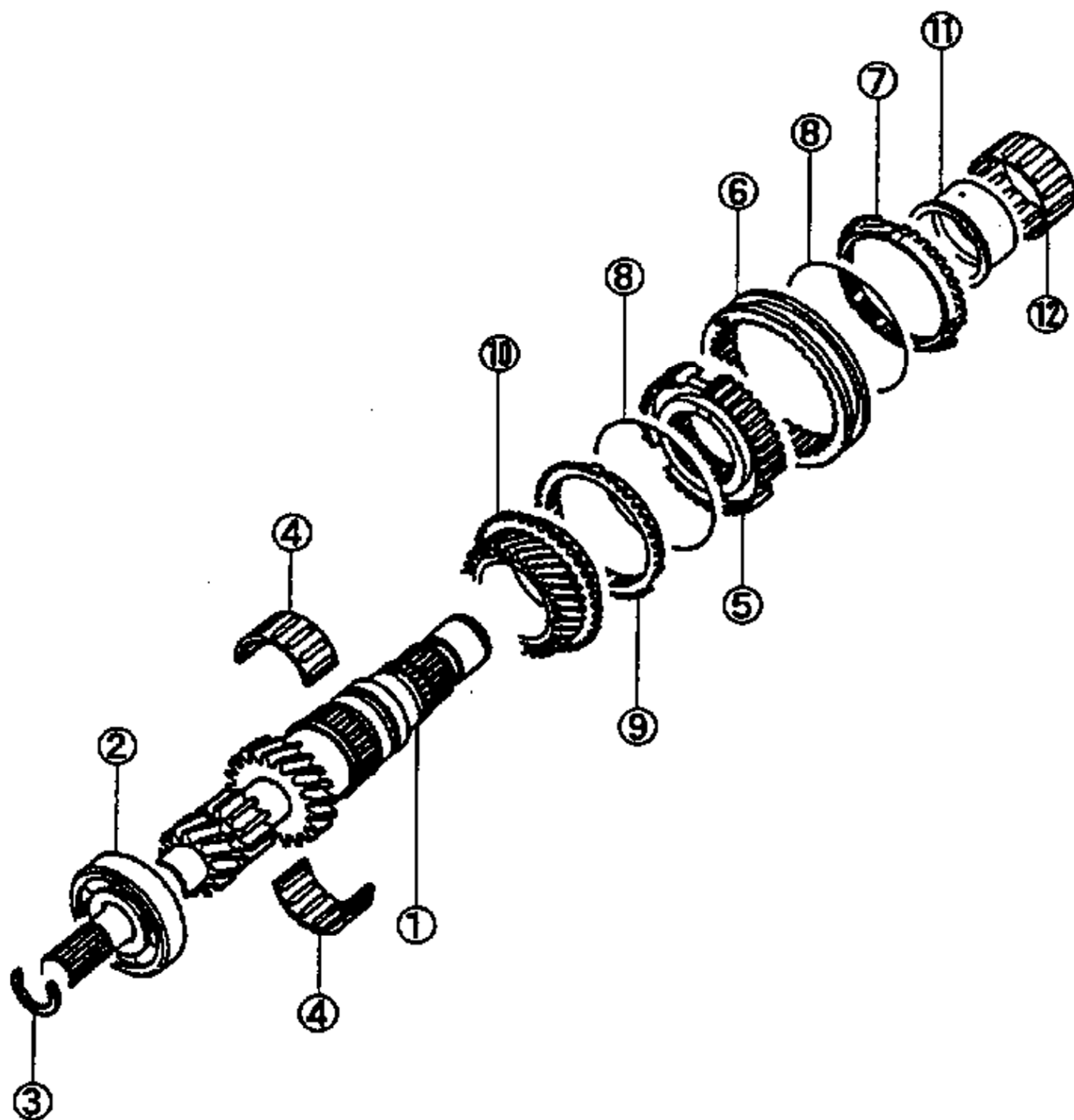


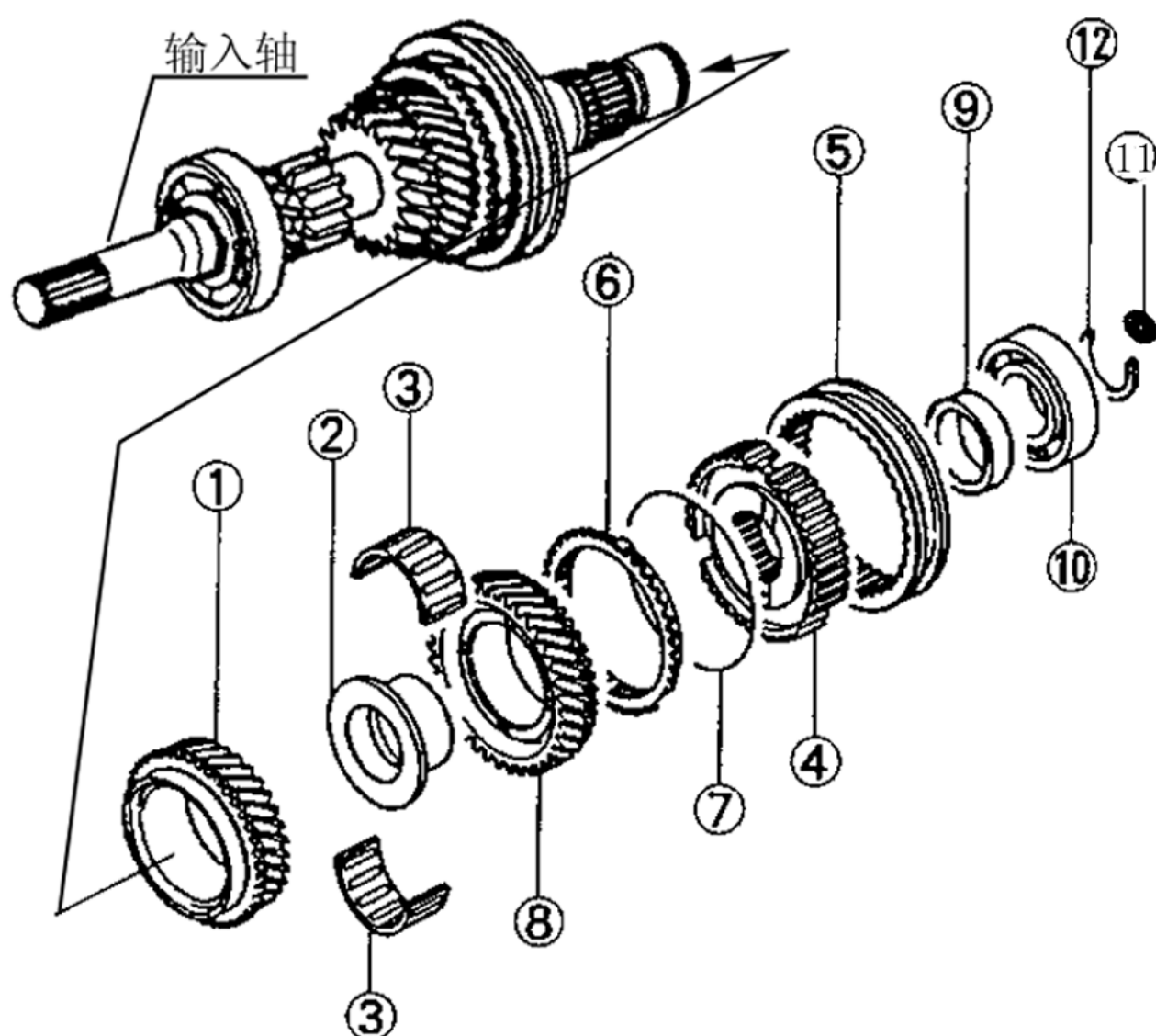
图1-2-11

序号 No.	零件编号 Part No.	名称 Description		数量 Qty	备注 Rem
		中文 Chinese	英文 English		
1	BS15-1701003	输入轴	INPUT SHAFT	1	
2	BS15-1701800	球轴承 (输入轴前)	BALL BEARING	1	
3	BS15-1701037-1	弹性挡圈 (1级)	SPRING RETAINING RING 1	1 1 1	
	BS15-1701037-2	弹性挡圈 (2级)	SPRING RETAINING RING 2		
	BS15-1701037-3	弹性挡圈 (3级)	SPRING RETAINING RING 3		
4	BS15-1701807	滚针轴承	NEEDLE BEARING	1	
5	BS15-1701023	三、四档同步器齿毂	THIRD-FOURTH SYNCHRONIZER HUB	1	
6	BS15-1701025	三、四档同步器齿套	THIRD-FOURTH SYNCHRONIZER	1	
	BS15-1701025A		JACKET		
7	BS15-1701028	同步环	SYNCHRONIZER RING	1	
	BS15-1701028A				
8	BS15-1701036	同步器弹簧	SYNCHRONIZER SPRING	2	
	BS15-1701036A				
9	BS15-1701029	同步环	SYNCHRONIZER RING	1	
	BS15-1701029A				
10	BS15-1701902	三档主动齿轮总成	THIRD SHIFT DRIVING GRAR ASSY	1	
11	BS15-1701020	四档主动齿轮轴套	FOURTH SHIFT DRIVING GRAR SHAFT JACKET	1	
12	BS15-1701806	滚针轴承	NEEDLE BEARING	1	

ILLUSTRATION 1-2-12 FOURTH SHIFT DRIVING GEAR ASSY

图1-2-12				
序号 No.	零件编号 Part No.	名称 Description		数量 Qty
		中文 Chinese	英文 English	
1	BS15-1701903	四档主动齿轮总成	FOURTH SHIFT DRIVING GEAR ASSY	1
2	BS15-1701021	五档主动齿轮轴套	FIFTH DRIVING GEAR SHAFT JACKET	1
3	BS15-1701807	滚针轴承	NEEDLE BEARING	2
4	BS15-1701024	五、倒档同步器齿毂	FIFTH AND REVERSE SYNCHRONIZER HUB	1
5	BS15-1701026	五、倒档同步器齿套	FIFTH AND REVERSE SYNCHRONIZER JACKET	1
	BS15-1701026A			
6	BS15-1701028	同步环	SYNCHRONIZER RING	1
	BS15-1701028A			
7	BS15-1701036	同步器弹簧	SYNCHRONIZER SPRING	2
	BS15-1701036A			
8	BS15-1701904	五档主动齿轮总成	FIFTH SHIFT DRIVING GEAR ASSY	1
9	BS15-1701032	输入轴挡圈	RETAINING RING, INPUT SHAFT	1
10	BS15-1701801	球轴承 (输入轴后)	BALL BEARING,	1
11	BS15-1701804	油封	OIL SEAL	1

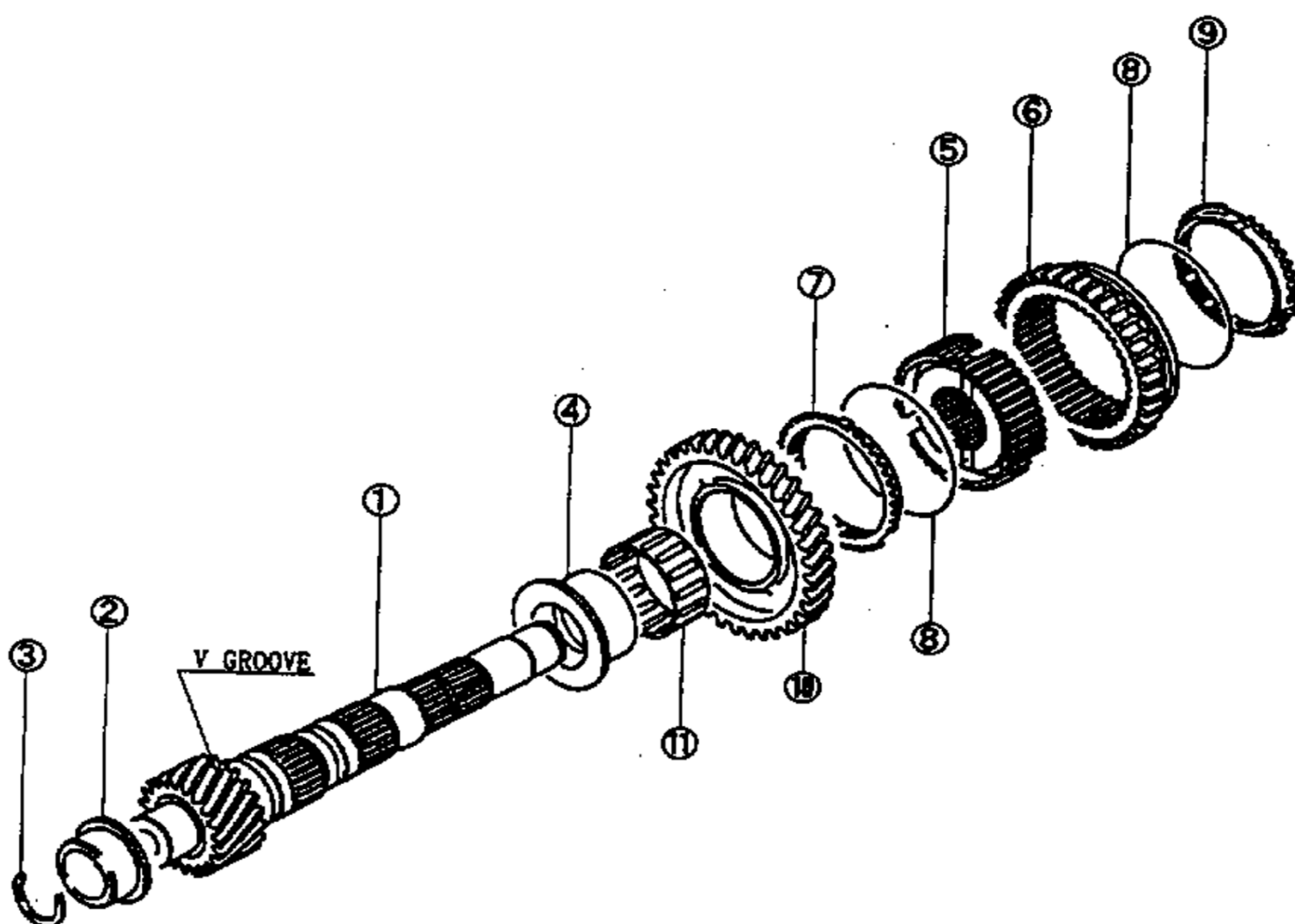
12	BS15-1701038-1	弹性挡圈 (1级)	SPRING RETAINING RING	1
	BS15-1701038-2	弹性挡圈 (2级)		
	BS15-1701038-3	弹性挡圈 (3级)		
	BS15-1701038-4	弹性挡圈 (4级)		
	BS15-1701038-5	弹性挡圈 (5级)		
	BS15-1701038-6	弹性挡圈 (6级)		
	BS15-1701038-7	弹性挡圈 (7级)		
	BS15-1701038-8	弹性挡圈 (8级)		
	BS15-1701038-9	弹性挡圈 (9级)		
	BS15-1701038-10	弹性挡圈 (10级)		
	BS15-1701038-11	弹性挡圈 (11级)		



## ILLUSTRATION 1-2-13 OUTPUT SHAFT

**图1-2-13**

序号 No.	零件编号 Part No.	名称 Description		数量 Qty	备注 Rem
		中文 Chinese	英文 English		
1	BS15-1701004	输出轴	OUTPUT SHAFT	1	
2	BS15-1701802	圆柱滚子轴承 (内圈)	NEEDLE BEARING (INSIDE)	1	
3	BS15-1701039-1	弹性挡圈 (1级)	SPRING RETAINING RING 1	1	
	BS15-1701039-2	弹性挡圈 (2级)	SPRING RETAINING RING 2	1	
	BS15-1701039-3	弹性挡圈 (3级)	SPRING RETAINING RING 3	1	
4	BS15-1701018	一档从动齿轮 轴套	FIRST SHIFT DRIVEN GEAR SHAFT JACKET	1	
5	BS15-1701022	一、二档同步 器齿毂	FIRST-SECOND SYNCHRONIZER HUB	1	
6	BS15-1701027	一、二档同步 器齿套	FIRST-SECOND SYNCHRONIZER JACKET	1	
	BS15-1701027A				
7	BS15-1701030	一档同步环	FIRST SHIFT SYNCHRONIZER RING	1	
	BS15-1701030A				
8	BS15-1701036	同步器弹簧	SYNCHRONIZER SPRING	2	
	BS15-1701036A				
9	BS15-1701028	同步环	SYNCHRONIZER RING	1	
	BS15-1701028A				
10	BS15-1701005	一档从动齿轮	FIRST SHIFT DRIVEN GEAR	1	
11	BS15-1701805	滚针轴承	NEEDLE BEARING	1	

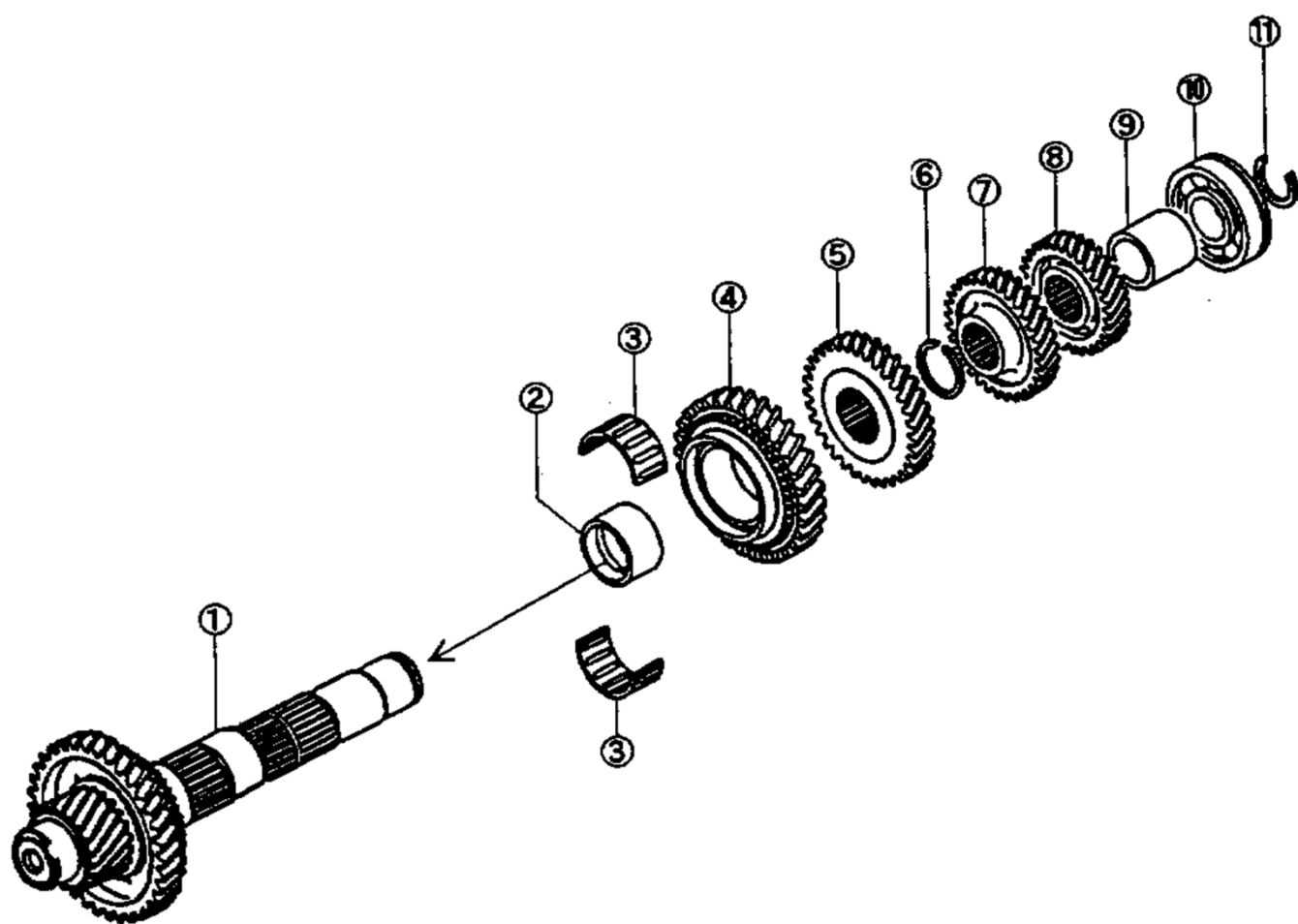


## ILLUSTRATION 1-2-14 OUTPUT SHAFT

图1-2-14

序号 No.	零件编号 Part No.	名称 Description		数量 Qty	备注 Rem
		中文 Chinese	英文 English		
1		输出轴	OUTPUT SHIFT	1	
	BS15-1701019	二档从动齿轮轴套	SECOND SHIFT DRIVEN GEAR SHAFT JACKET	1	
3	BS15-1701807	滚针轴承	NEEDLE BEARING	1	
4	BS15-1701006	二档从动齿轮	SECOND SHIFT DRIVEN GEAR	1	
5	BS15-1701007	三档从动齿轮	THIRD SHIFT DRIVEN GEAR	1	
6	BS15-1701041-1	弹性挡圈 (1级)	SPRING RETAINING RING	1	
	BS15-1701041-2	弹性挡圈 (2级)			
	BS15-1701041-3	弹性挡圈 (3级)			
	BS15-1701041-4	弹性挡圈 (4级)			
	BS15-1701041-5	弹性挡圈 (5级)			
	BS15-1701041-6	弹性挡圈 (6级)			
	BS15-1701041-7	弹性挡圈 (7级)			
	BS15-1701041-8	弹性挡圈 (8级)			
7	BS15-1701008	四档从动齿轮	FOURTH SHIFT DRIVEN GEAR	1	
8	BS15-1701009	五档从动齿轮	FIFTH SHIFT DRIVEN GEAR	1	
9	BS15-1701031	输出轴挡圈	RETAINING RING, OUTPUT SHAFT	1	
10	BS15-1701803	球轴承 (输出轴后)	BALL BEARING (REAR END OF OUTPUT SHAFT)	1	

11	BS15-1701040-1	弹性挡圈 (1级)	SPRING RETAINING RING	1
	BS15-1701040-2	弹性挡圈 (2级)		
	BS15-1701040-3	弹性挡圈 (3级)		
	BS15-1701040-4	弹性挡圈 (4级)		
	BS15-1701040-5	弹性挡圈 (5级)		
	BS15-1701040-6	弹性挡圈 (6级)		
	BS15-1701040-7	弹性挡圈 (7级)		
	BS15-1701040-8	弹性挡圈 (8级)		
	BS15-1701040-9	弹性挡圈 (9级)		
	BS15-1701040-10	弹性挡圈 (10级)		
	BS15-1701040-11	弹性挡圈 (11级)		





## ILLUSTRATION 1-2-15 TRANSMISSION HOUS

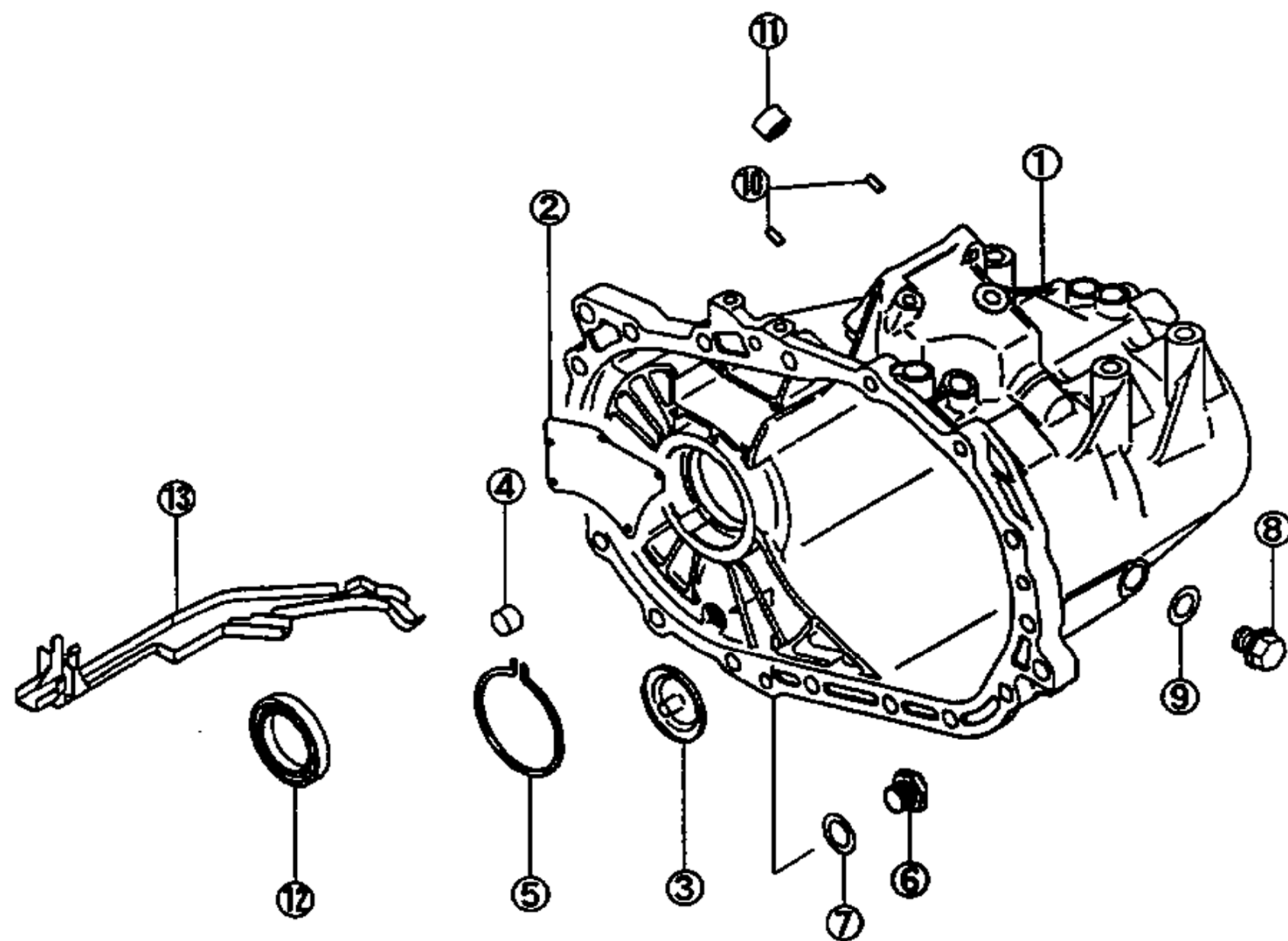


图1-2-15

序号 No.	零件编号 Part No.	名称 Description		数量 Qty	备注 Rem
		中文 Chinese	英文 English		
1	BS15-1701002	变速器壳体	HOUSING, TRANSMISSION	1	
2	BS15-1700007	油槽盖	COVER, OIL GROOVE	1	
3	BS15-1700009	导油器	OIL GUIDER	1	
4	BS15-1700004	衬套	BUSHER	1	
5	BS15-1700010	卡簧	SNAP RING	1	
6	BS15-1700014	放油堵	OIL DRAINING PLUG	1	
7	BS15-1700002	垫圈 (放油堵)	WASHER ( OIL DRAINING PLUG)	1	
8	BS15-1700008	注油堵	OIL FILLING PLUG	1	
9	471Q-0660036	垫圈 (注油堵)	WASHER (OIL FILLING PLUG)	1	
10	471Q-0472402	定位销	POSITION PIN	2	
11	BS15-1700803	滚针轴承	NEEDLE BEARING	1	
	BS15-1700803A	油封 (半轴)	OIL SEAL (HALF SHAFT)		
12	BS15-1700801	油封 (半轴)	OIL SEAL (HALF SHAFT)	1	
	BS15-1700801A				
13	BS15-1700003	导油槽	OIL GROOVE	1	

ILLUSTRATION 1-2-16 SHIFTING SHAFT

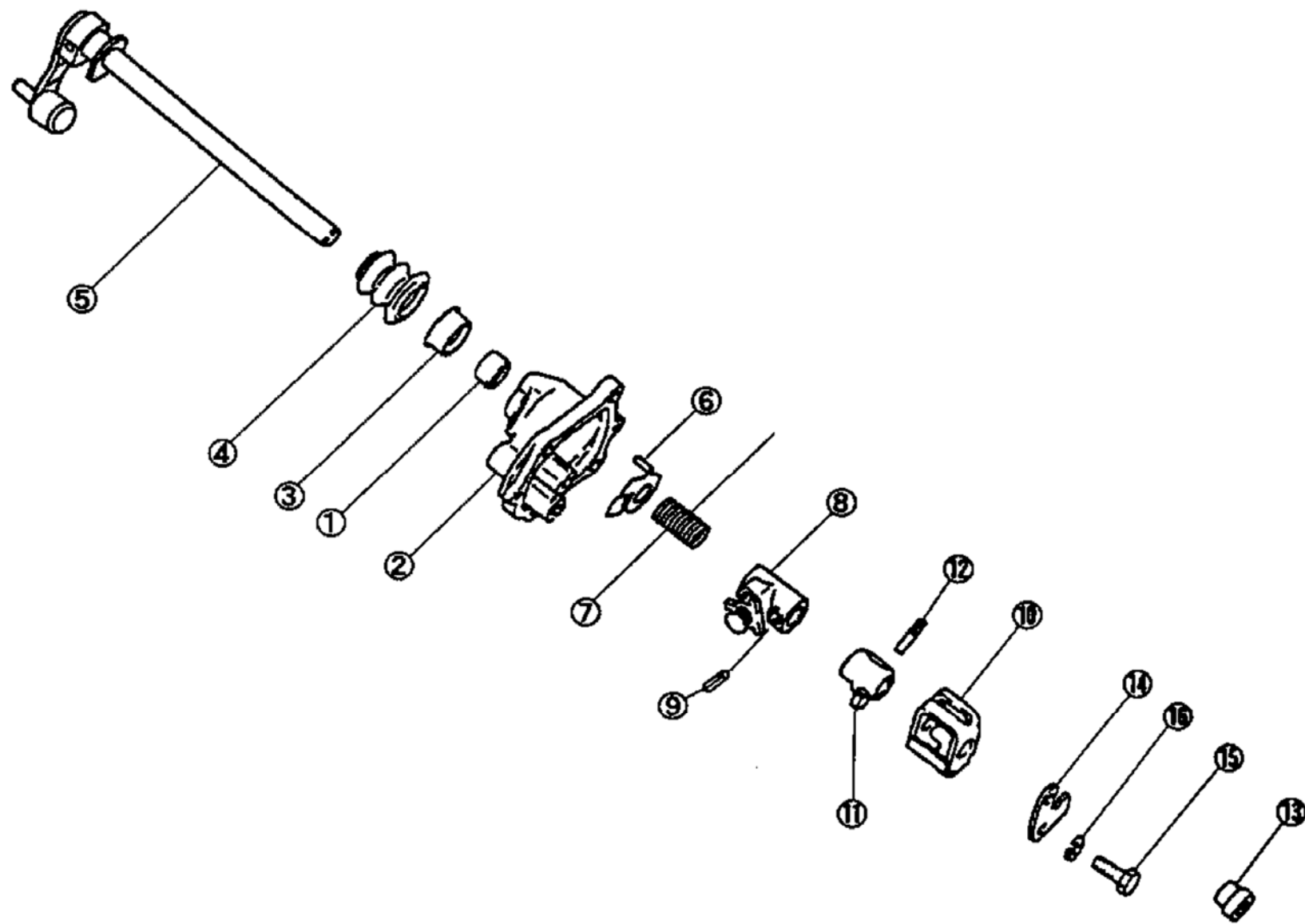


图1-2-16

序号No.	零件编号 Part No.	名称 Description		数量 Qty	备注 Rem
		中文 Chinese	英文 English		
1	BS15-1700803	滚针轴承	NEEDLE BEARING	1	
	BS15-1700803A			1	
2	BS15-1702028	控制轴壳体	HOUSING, CONTROL SHAFT	1	
3	BS15-1702803	油封 (控制轴)	OIL SEAL, CONTROL SHAFT	1	
4	BS15-1702030	控制轴防尘罩	DUST BOOT, CONTROL SHAFT	1	
	BS15-1702021	换挡杆	SHIFT ROD	1	
5	BS15-1702018	控制轴	CONTROL SHAFT	1	
6	BS15-1702016	调整垫片	ADJUSTING WASHER	1	
7	BS15-1702017	空档回位弹簧	NEOTRAL RETURNING SPRING	1	
8	BS15-1702903	限位块总成	LIMITED PAD ASSY	1	
9	471Q-0472572	弹簧销	SPRING PIN	1	
10	BS15-1702015	互锁板	INTER-LOCK PLATE	1	
11	BS15-1702019	控制臂	CONTROL ARM	1	
12	BS15-1702020	锁紧销	LOCKED PIN	1	
13	BS15-1702804	空档回位弹簧总成	NEUTRAL RETURNING SPRING ASSY	1	
14	BS15-1702026	限位支架	LIMITED BRACKET	1	
15	BS15-1702029	螺栓	BOLT	1	
16	471Q-0450405	弹簧垫圈	SPRING WASHER	1	