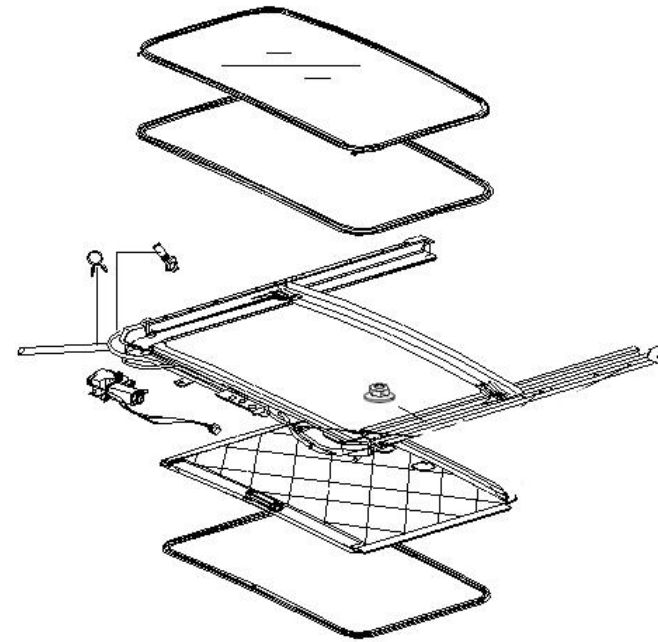
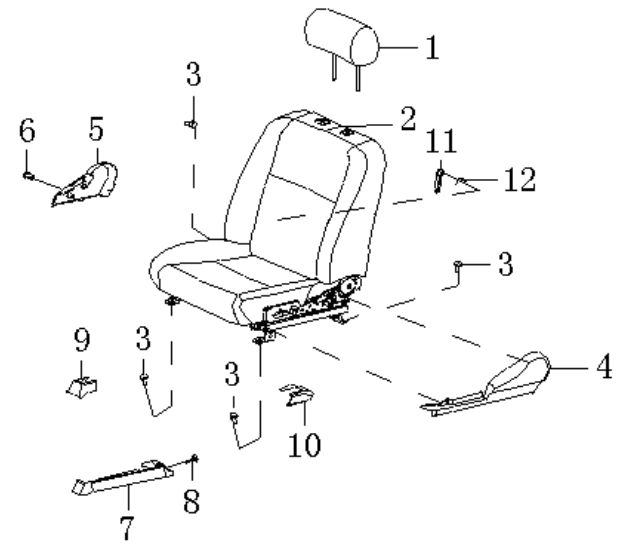
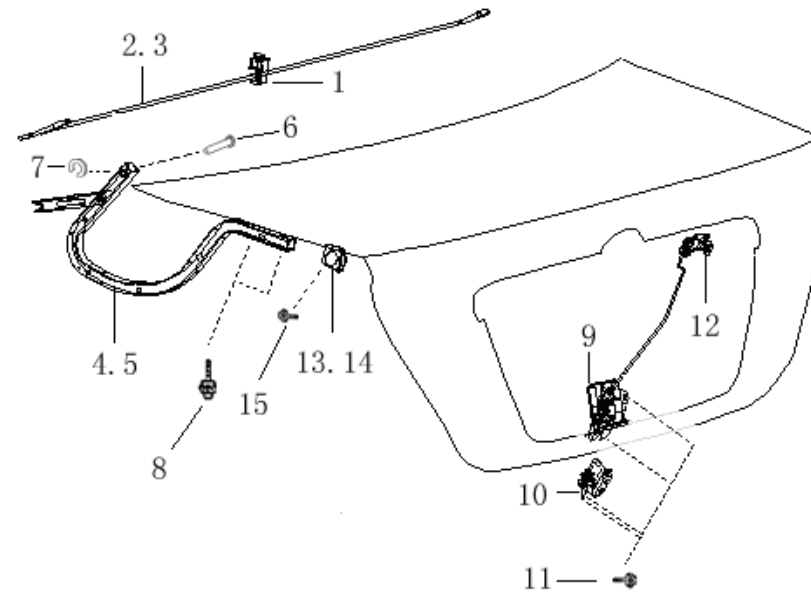
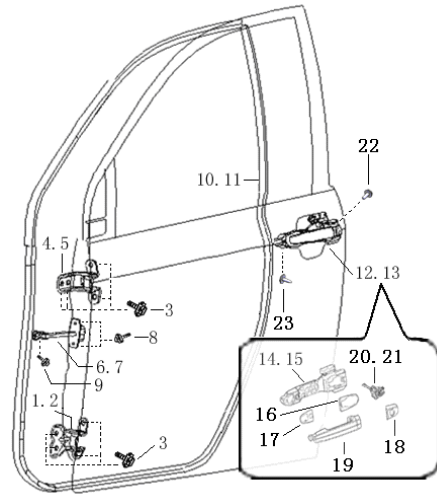
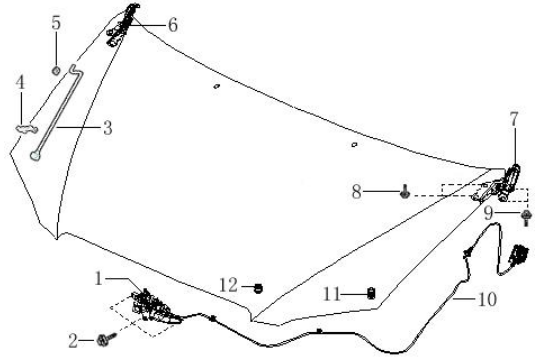


1

BYD F3 CAR BODY ACCESSORIES



Оглавление

4-2-1	3
4-2-2	4
4-2-3	6
4-2-4	8
4-2-5	10
4-2-6	11
4-2-7	12
4-2-8	13
4-2-9	14
4-2-10	16
4-2-11.1	17
4-2-11.2	18
4-2-12	19
4-2-13.1	20
4-2-13.2	21
4-2-14	22

4-2-1

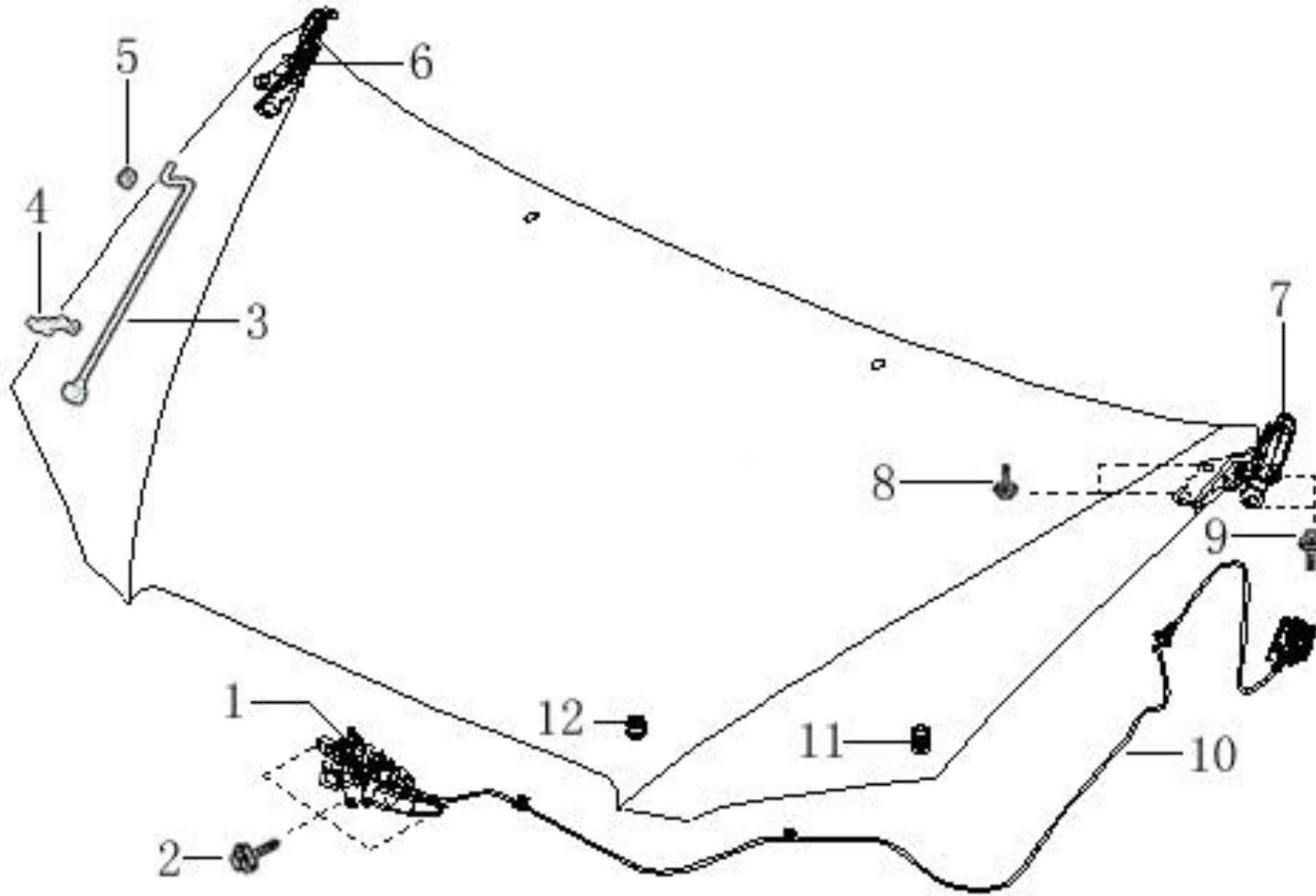


图 4-2-1

序号 No.	零件编号 Part No.	名称 Description		数量 Qty	备注 Rem
		中文 Chinese	英文 English		
1	BYDF3-8402180	发动机罩锁紧装置总成	LOCK DEVICE ASSY, ENGINE HOOD	1	
2	Q1800612	六角法兰面承面带齿螺栓 (镀黑锌)	HEX-BOLT FLANGE	3	
3	BYDF3-8402121	发动机罩撑杆	STAY ROD ASSY, ENGINE HOOD	1	
4	BYDF3-8402123	发动机罩撑杆卡座	SEAT,STAY ROD ASSY, ENGINE HOOD	1	
5	BYDF3-8402122	发动机罩撑杆固定孔护套	JACKET, STAY ROD ASSY, ENGINE HOOD	1	
6	BYDF3-8402160	发动机罩右铰链总成	HINGE ASSY, ENGINE HOOD,R	1	
7	BYDF3-8402150	发动机罩左铰链总成	HINGE ASSY, ENGINE HOOD,L.	1	
8	Q1840816	六角法兰面螺栓	HEX-BOLT FLANGE	4	
9	Q1860820	六角法兰面螺栓-加大系列	HEX-BOLT FLANGE,LARGED	4	
10	BYDF3-8402170	发动机罩内扣手及拉索总成	INNER HANDLE & CABLE ASSY, ENGINE HOOD	1	
11	BYDF3-8402211	发动机罩缓冲垫	BUFFER CUSHION, ENGINE HOOD	2	
12	BYDF3-5302133	水箱上横梁缓冲垫	BUFFER CUSHION, UPPER MEMBER, RADIATOR	2	

图 4-2-2

序号 No.	零件编号 Part No.	名称 Description		数量 Qty	备注 Rem
		中文 Chinese	英文 English		
1	BYDF3-6106130	左前侧门下铰链组件	LOWER HINGE ASSY, FRONT DOOR, L	1	
2	BYDF3-6106140	右前侧门下铰链组件	LOWER HINGE ASSY, FRONT DOOR, R	1	
3	Q1460825	六角头螺栓、弹簧垫圈 和平垫圈组合件	HEX-BOLT , SPRING WASHER AND FLAT WASHER COMP	16	
4	BYDF3-6106110	左前侧门上铰链组件	UPPER HINGE ASSY, FRONT DOOR, L	1	
5	BYDF3-6106120	右前侧门上铰链组件	UPPER HINGE ASSY, FRONT DOOR, R	1	
6	BYDF3-6109110	左前侧门限位器总成	LIMITER ASSY, FRONT DOOR, L	1	
7	BYDF3-6109120	右前侧门限位器总成	LIMITER ASSY, FRONT DOOR, R	1	
8	Q1860616	六角法兰面螺栓 (镀黑锌)	HEX-BOLT FLANGE	4	
9	Q1840816	六角法兰面螺栓 (镀黑锌)	HEX-BOLT FLANGE	2	
10	BYDF3-6107111	左前侧车门密封条	WEATHERSTRIP, FRONT DOOR,L	1	
11	BYDF3-6107112	右前侧车门密封条	WEATHERSTRIP, FRONT DOOR,R	1	

图 4-2-2

序号 No.	零件编号 Part No.	名称 Description		数量 Qty	备注 Rem
		中文 Chinese	英文 English		
12	BYDF3-6105110	左前侧门外拉手总成 (镀铬)	OUTER HANDLE ASSY, FRONT DOOR,L	1	
	BYDF3- 6105110C	左前侧门外拉手总成 (黑体色)			
13	BYDF3-6105120	右前侧门外拉手总成 (镀铬)	OUTER HANDLE ASSY, FRONT DOOR,R	1	
	BYDF3- 6105120C	右前侧门外拉手总成 (黑体色)			
14	BYDF3-6105113	左前底座总成	FRONT SEAT ASSY, L		
15	BYDF3-6105123	右前底座总成	FRONT SEAT ASSY, R	1	
16	BYDF3-6105114	大垫片	WASHER	2	
17	BYDF3-6105115	小垫片	WASHER	2	
18	BYDF3-6105112	前门手壳 (镀铬)	HANDLE SHELL, FRONT DOOR	2	
	BYDF3- 6105112C	前门手壳 (黑体色)			
19	BYDF3-6105111	手把 (镀铬)	HANDLE	2	
	BYDF3- 6105111C	手把 (黑体色)			
20	BYDF3-3704300	左前门锁芯	LOCK CYLINDER, FRONT DOOR,L	1	
21	BYDF3-3704400	右前门锁芯	LOCK CYLINDER, FRONT DOOR,R	1	
22	BYDF3-6111116	内六角花形盘头带承载 面F型螺钉	HEX-SCREW,F-TYPE	2	
23	BYDF3-6111115	内六角花形盘头带承载 面C型螺钉	HEX-SCREW,C-TYPE	2	

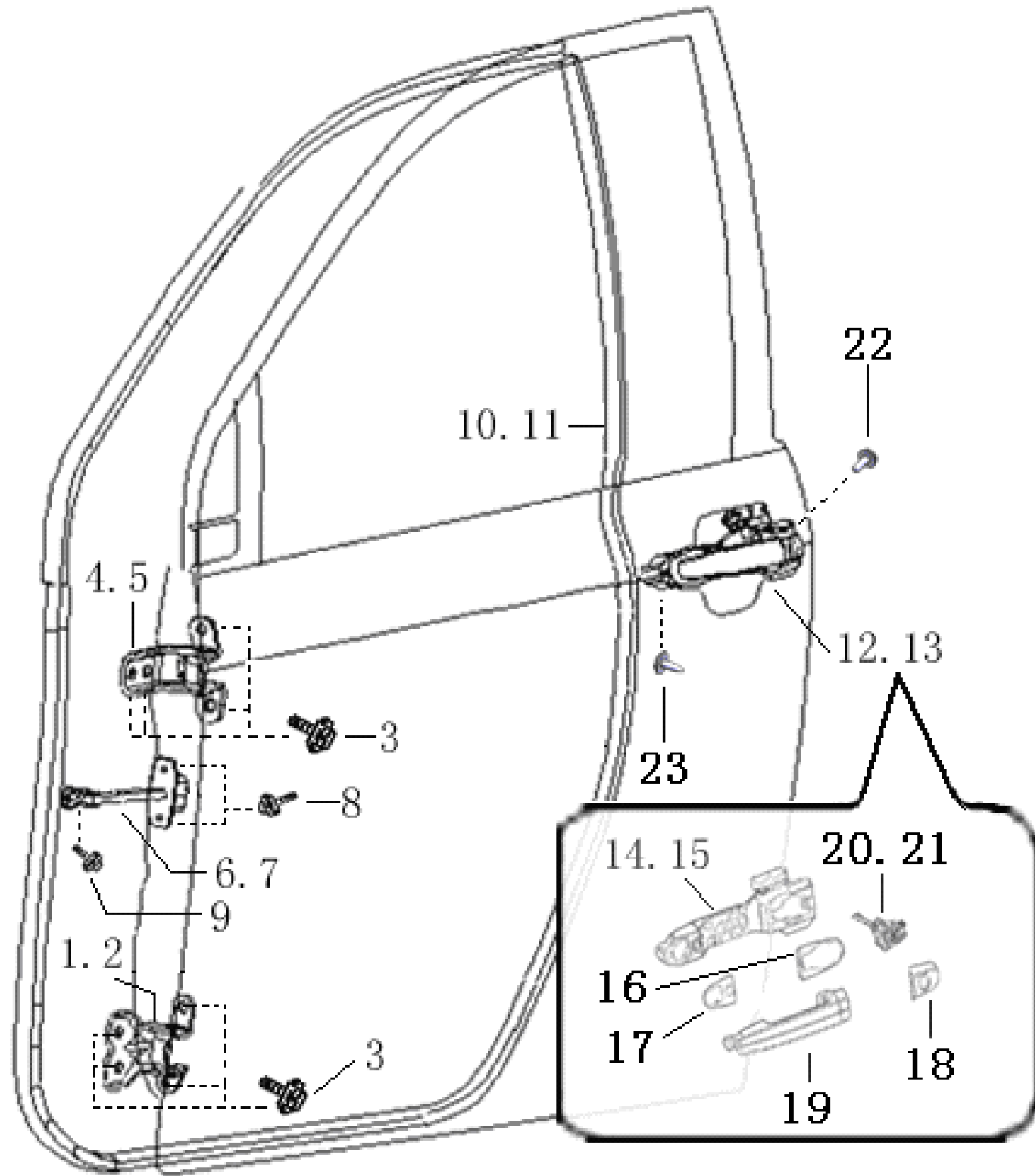
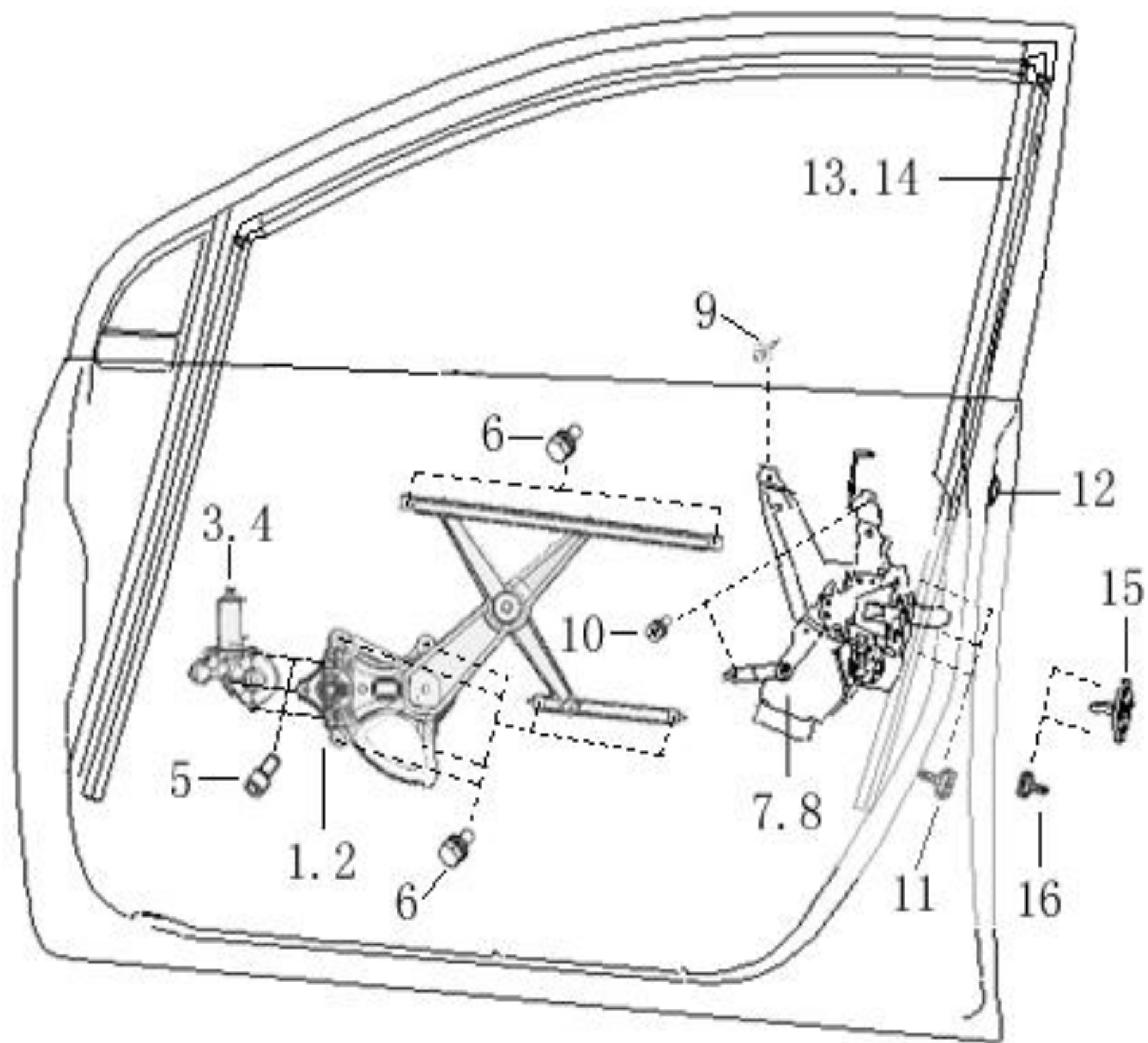


图 4-2-3

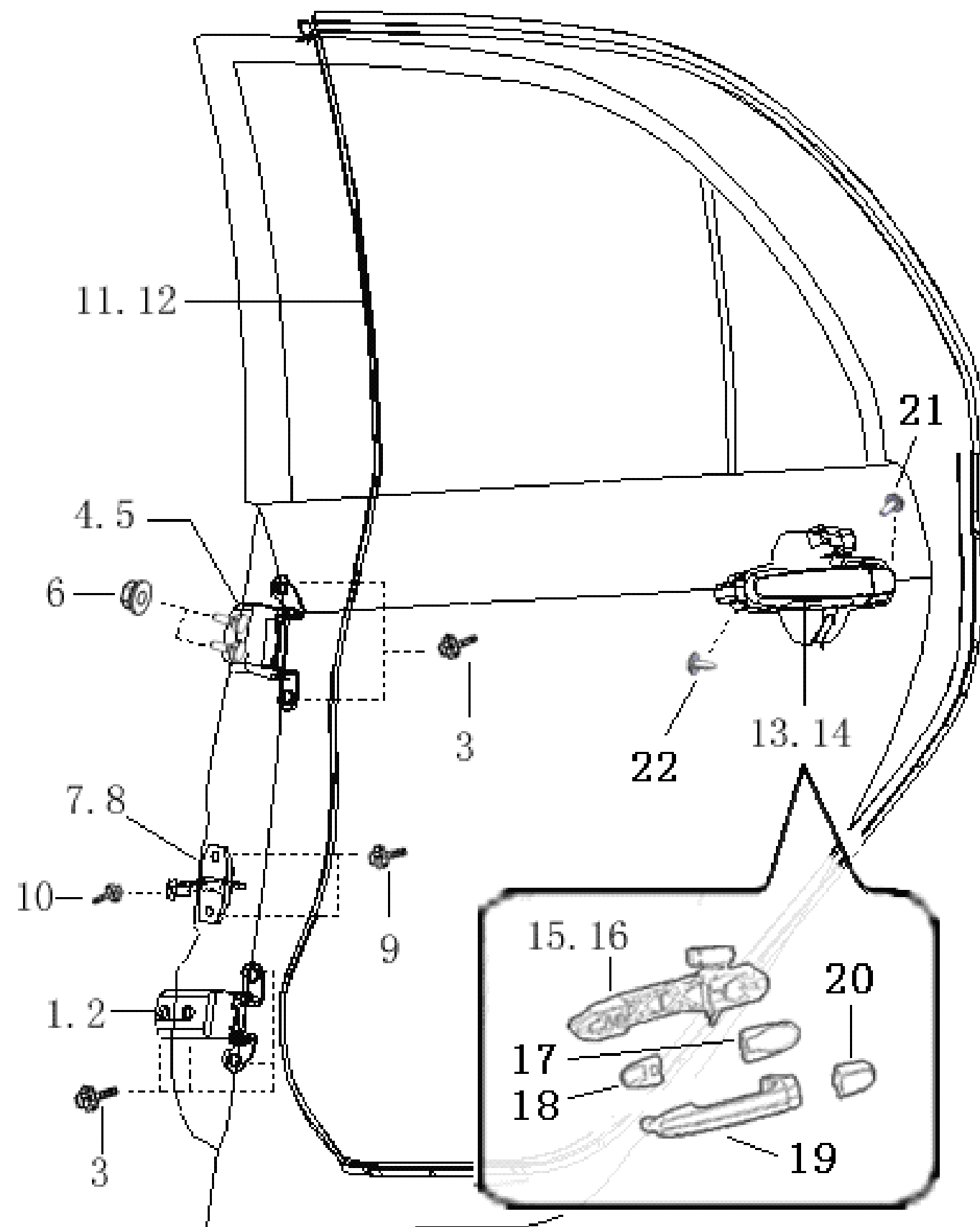
序号No.	零件编号 Part No.	名 称 Description		数量 Qty	备注 Rem
		中 文 Chinese	英 文 English		
		1	BYDF3-6104010		
2	BYDF3-6104020	右前车窗玻璃升降器总成	FRONT WINDOW REGULATOR ASSY,R	1	
3	BYDF3-3746500	左前门玻璃升降器电机及支架总成	MOTOR & BRACKET ASSY, FRONT WINDOW REGULATOR,L	1	
4	BYDF3-3746600	右前门玻璃升降器电机及支架总成	MOTOR & BRACKET ASSY, FRONT WINDOW REGULATOR,R	1	
5	Q218B0508	内六角圆柱头螺钉	HEX-SCREW	6	
6	Q1800612	六角法兰面承面带齿螺栓	HEX-BOLT FLANGE	16	
7	BYDF3-6105130	左前侧门锁体	LOCK ASSY,FRONT DOOR,L	1	
8	BYDF3-6105140	右前侧门锁体	LOCK ASSY,FRONT DOOR,R	1	
9	Q2214816	十字槽盘头自攻螺钉和大垫圈组合件	CROSSED HEAD G SCREW AND LARGER WASHER COMP	2	
10	Q174B0616+Q40706	六角头头部带十字槽螺栓和平垫圈组合件	CROSSED HEAD HEX-BOLT AND FLAT WASHER COMP	4	
11	Q2570620	内六角花形半沉头螺钉	HEX-BOLT	6	
12	BYDF3-6101171	前侧车门把手旁堵盖	PLUG, HANDLE SIDE, FRONT DOOR	2	
13	BYDF3-6107115	左前侧车门玻璃密封条	GLASS WEATHERSTRIP, FRONT DOOR,L	1	
14	BYDF3-6107116	右前侧车门玻璃密封条	GLASS WEATHERSTRIP, FRONT DOOR,R	1	
15	BYDF3-6105141	侧门锁环	LOCK RING, DOOR LOCK	2	
16	Q2580820	内六角花形沉头螺钉	HEX-BOLT	4	
17	BYDF3-6109111	车门缓冲块	CUSHION, DOOR	6	



4-2-4

图 4-2-4					
序号 No.	零件编号 Part No.	名称 Description		数量 Qty	备注 Rem
		中文 Chinese	英文 English		
1	BYDF3-6206130	左后侧门下铰链组件	LOWER HINGE COMP, REAR DOOR, L	1	
2	BYDF3-6206140	右后侧门下铰链组件	LOWER HINGE COMP, REAR DOOR, R	1	
3	Q1460825	六角头螺栓、弹簧垫圈 和平垫圈组合件	HEX-BOLT,SPRING WASHER AND FLAT WASHER COMP	12	
4	BYDF3-6206110	左后侧门上铰链组件	UPPER HINGE ASSY, REAR DOOR, L	1	
5	BYDF3-6206120	右后侧门上铰链组件	UPPER HINGE ASSY, REAR DOOR, R	1	
6	Q32008	六角法兰面螺母	HEX-BOLT FLANGE	4	
7	BYDF3-6209110	左后侧门限位器总成	LIMITER ASSY, REAR DOOR, L	1	
8	BYDF3-6209120	右后侧门限位器总成	LIMITER ASSY, REAR DOOR, R	1	
9	Q1860616	六角法兰面螺栓 (镀黑锌)	HEX-BOLT FLANGE	4	
10	Q1840816	六角法兰面螺栓 (镀黑锌)	HEX-BOLT FLANGE	2	
11	BYDF3-6207111	左后侧车门密封条	WEATHERSTRIP, REAR DOOR,L	1	
12	BYDF3-6207112	右后侧车门密封条	WEATHERSTRIP, REAR DOOR,R	1	

图 4-2-4					
序号 No.	零件编号 Part No.	名称 Description		数量 Qty	备注 Rem
		中文 Chinese	英文 English		
13	BYDF3-6205110	左后侧门外拉手总成 (镀铬)	OUTSIDE HANDLE ASSY, REAR DOOR,L	1	
	BYDF3-6205110C	左后侧门外拉手总成 (黑色色)			
14	BYDF3-6205120	右后侧门外拉手总成 (镀铬)	OUTSIDE HANDLE ASSY, REAR DOOR,R	1	
	BYDF3-6205120C	右后侧门外拉手总成 (黑色色)			
15	BYDF3-6205113	左后底座总成	REAR SEAT ASSY, L	1	
16	BYDF3-6205123	右后底座总成	REAR SEAT ASSY, R	1	
17	BYDF3-6105114	大垫片	WASHER	2	
18	BYDF3-6105115	小垫片	WASHER	2	
19	BYDF3-6105111	手把 (镀铬)	HANDLE	2	
	BYDF3-6105111C	手把 (黑色色)			
20	BYDF3-6205112	后门手壳 (镀铬)	HANDLE SHELL, REAR DOOR	2	
	BYDF3-6205112C	后门手壳 (黑色色)			
21	BYDF3-6111116	内六角花形盘头带承载 面F型螺钉	HEX-SCREW,F-TYPE	2	
22	BYDF3-6111115	内六角花形盘头带承载 面C型螺钉	HEX-SCREW,C-TYPE	2	



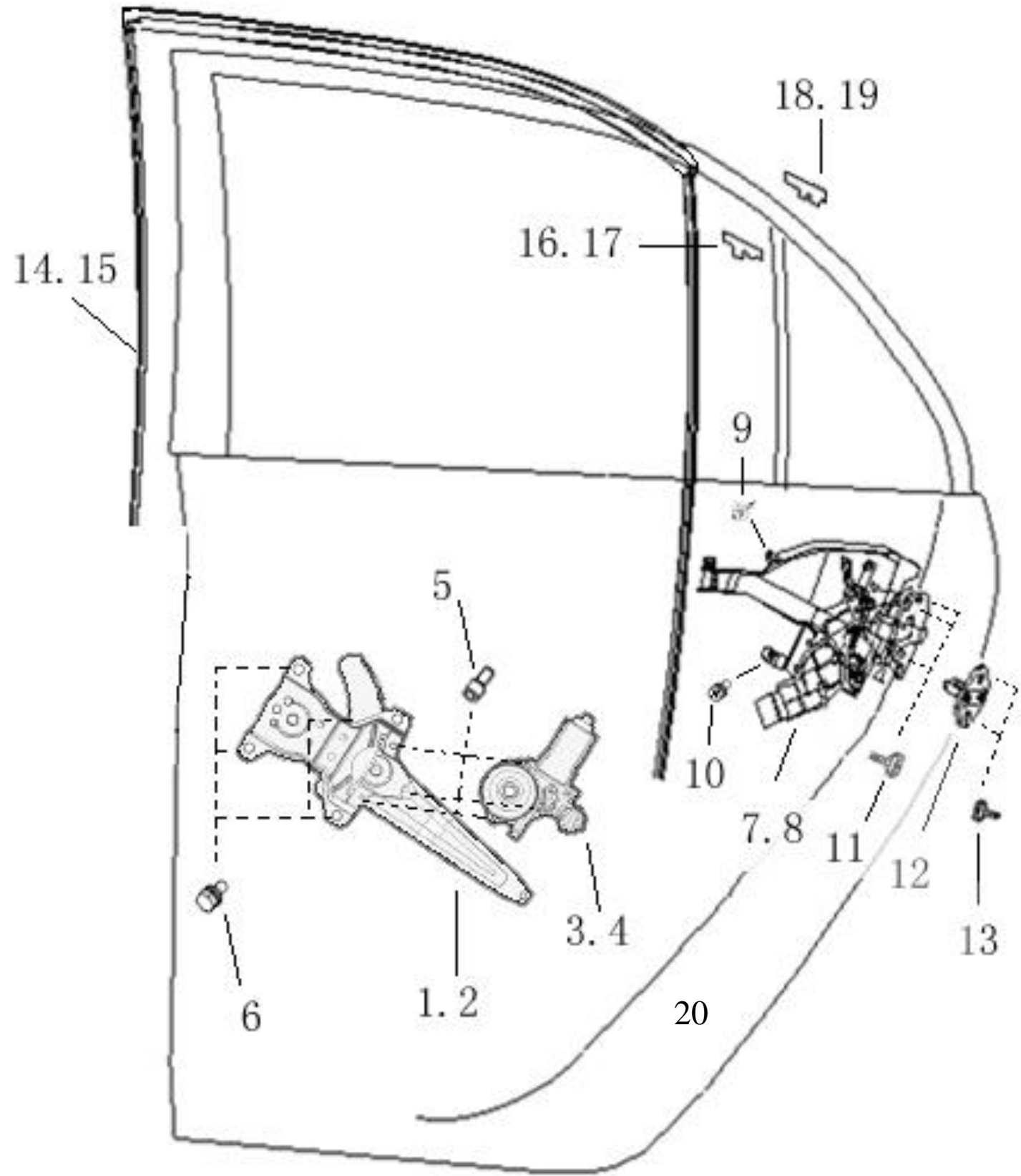


图 4-2-5

序号 No.	零件编号 Part No.	名称 Description		数量 Qty	备注 Rem
		中文 Chinese	英文 English		
		1	BYDF3-6204010		
2	BYDF3-6204020	右后车窗玻璃升降器总成	REAR WINDOW REGULATOR ASSY,R	1	
3	BYDF3-3746700	左后门玻璃升降器电机及支架总成	MOTOR & BRACKET ASSY, REAR WINDOW REGULATOR,L	1	
4	BYDF3-3746800	右后门玻璃升降器电机及支架总成	MOTOR & BRACKET ASSY, REAR WINDOW REGULATOR,R	1	
5	Q218B0508	内六角圆柱头螺钉	HEX-SCREW	6	
6	Q1800612	六角法兰面承面带齿螺栓	HEX-BOLT FLANGE	8	
7	BYDF3-6205130	左后侧门锁体	LOCK ASSY,REAR DOOR,L	1	
8	BYDF3-6205140	右后侧门锁体	LOCK ASSY,REAR DOOR,R	1	
9	Q2214816	十字槽盘头自攻螺钉和大垫圈组合件	CROSSED HEAD SCREW AND LARGER WASHER COMP	2	
10	Q174B0616+Q40706	六角头头部带十字槽螺栓和平垫圈组合件	CROSSED HEAD HEX-BOLT AND FLAT WASHER COMP	2	
11	Q2570620	内六角花形半沉头螺钉	FLAT COUNTERSUNK HEAD HEX-BOLT	6	
12	BYDF3-6105141	侧门锁环	LOCK RING, DOOR LCOK	2	
13	Q2580820	内六角花形沉头螺钉	HALF FLAT COUNTERSUNK HEAD HEX-BOLT	4	
14	BYDF3-6207117	左后侧门窗玻璃密封条	GLASS WEATHERSTRIP, REAR DOOR,L	1	
15	BYDF3-6207118	右后侧门窗玻璃密封条	GLASS WEATHERSTRIP, REAR DOOR,R	1	
16	BYDF3-6207127	左活动导轨内护套	INNER JACKET, RUN TRACK, L	1	
17	BYDF3-6207128	右活动导轨内护套	INNER JACKET, RUN TRACK, R	1	
18	BYDF3-6207125	左活动导轨外护套	OUTER JACKET, RUN TRACK, L	1	
19	BYDF3-6207126	右活动导轨外护套	OUTER JACKET, RUN TRACK, R	1	
20	BYDF3-6109111	车门缓冲块	CUSHION, DOOR	4	

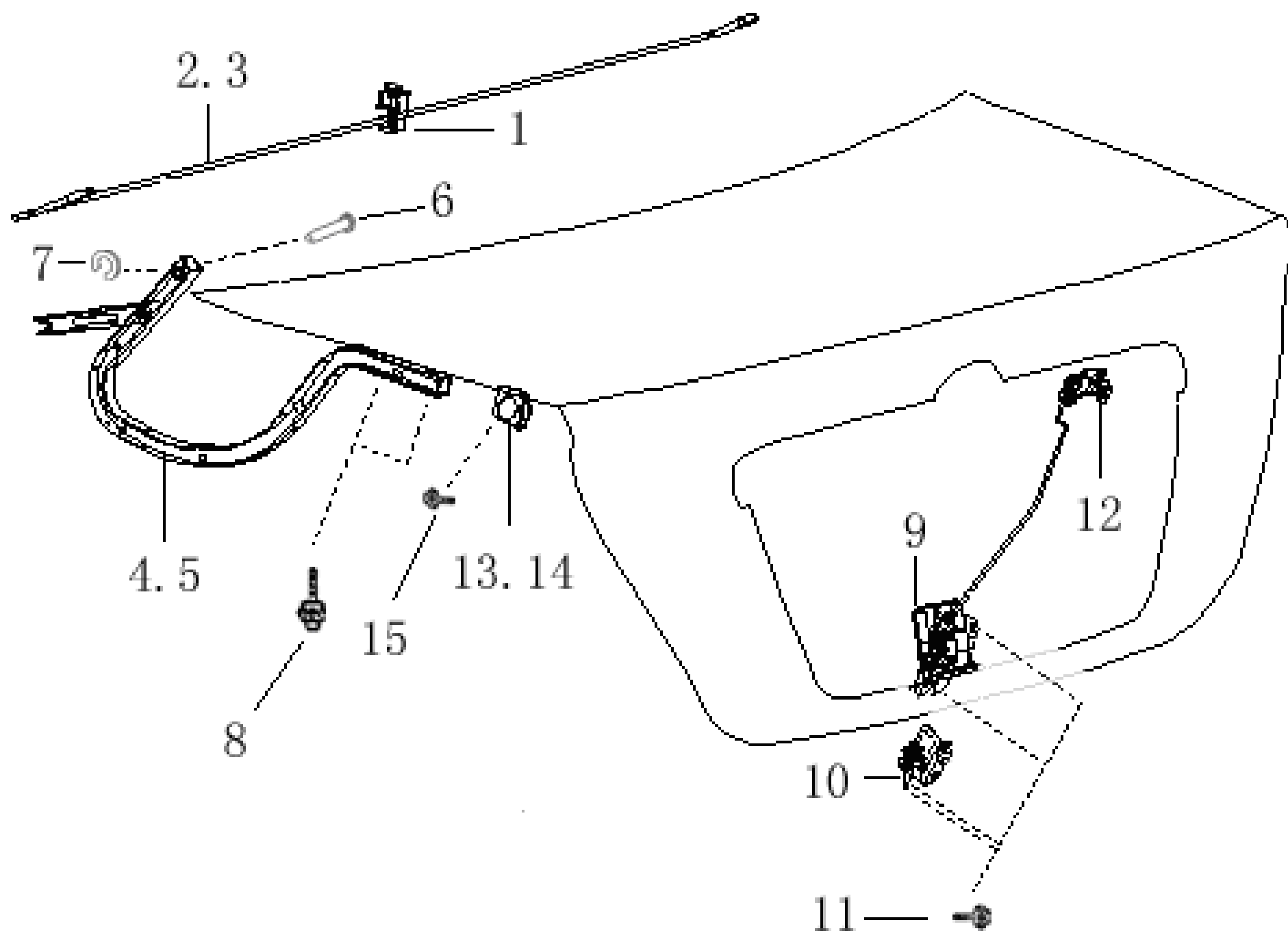


图 4-2-6

序号 No.	零件编号 Part No.	名称 Description		数量 Qty	备注 Rem
		中文 Chinese	英文 English		
		1	BYDF3-5605114		
2	BYDF3-5605111	左弹力扭杆	TORSION BAR,L	1	
3	BYDF3-5605211	右弹力扭杆	TORSION BAR,R	1	
4	BYDF3-5605100	左行李舱盖铰链总成	HINGE ASSY, LUGGAGE COMPARTMENT LID, L	1	
5	BYDF3-5605200	右行李舱盖铰链总成	HINGE ASSY, LUGGAGE COMPARTMENT LID, R	1	
6	BYDF3-5605115	撑杆旋转轴	ROTATION AXIS, STRUT ROD	2	
7	BYDF3-5605119	卡簧	SNAP RING	2	
8	Q1840630	六角法兰面螺栓	HEX-BOLT FLANGE	4	
9	BYDF3-5606100	行李舱盖锁上体总成	UPPER LOCK ASSY, LUGGAGE COMPARTMENT	1	
10	BYDF3-5606200	行李舱盖锁下体总成	LOWER LOCK ASSY, LUGGAGE COMPARTMENT	1	
11	Q1800612	六角法兰面承面带齿螺栓	HEX-BOLT FLANGE	4	
12	BYDF3-3704500	后行李箱门锁芯	LOCK CYLINDER, LUGGAGE COMPARTMENT	1	
13	BYDF3-5604315	左限位块	LIMITER,L	1	
14	BYDF3-5604316	右限位块	LIMITER,R	1	
15	Q1840616	六角法兰面螺栓 (镀黑锌)	HEX-BOLT FLANGE	2	

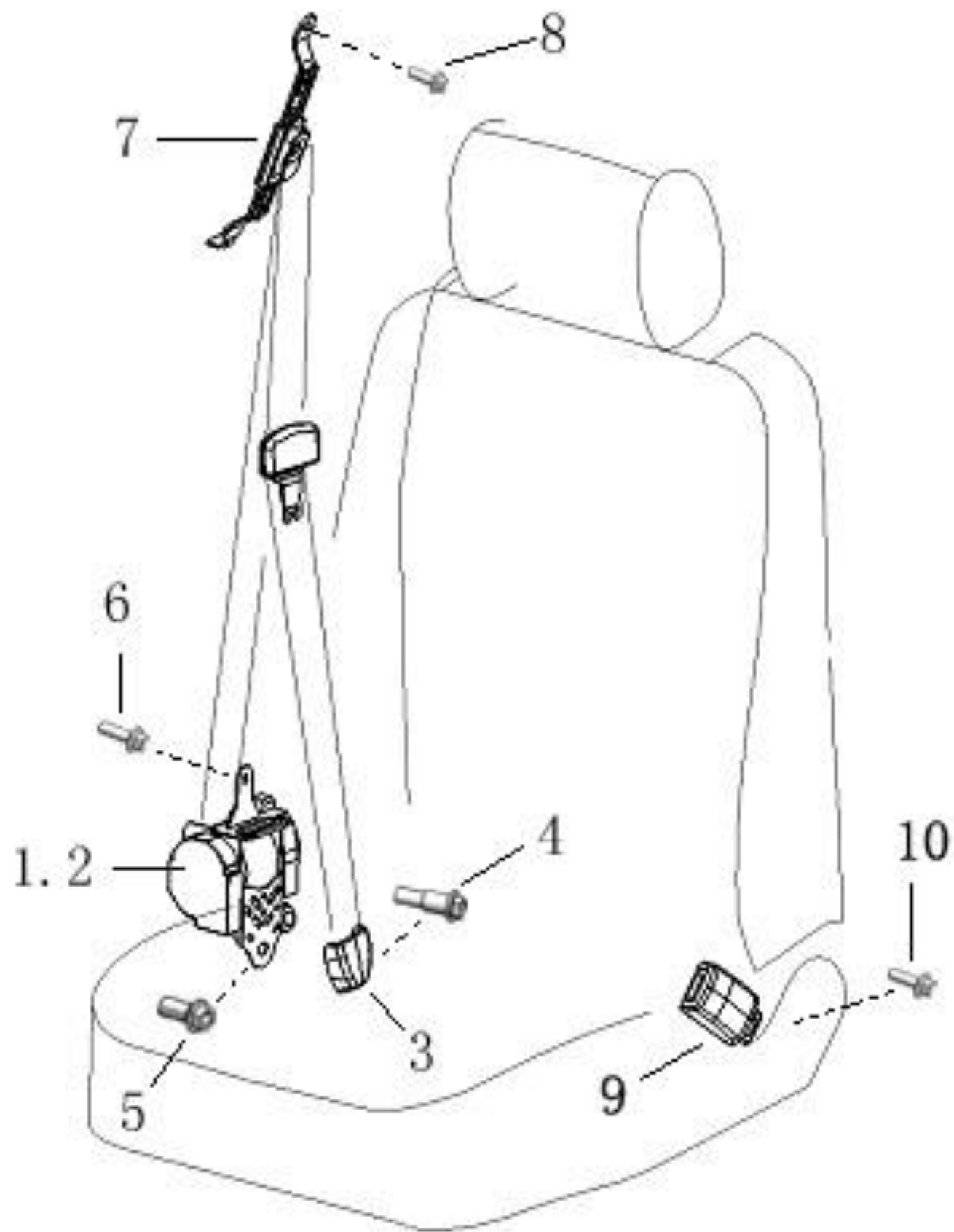


图 4-2-7

序号 No.	零件编号 Part No.	名称 Description		数量 Qty	备注 Rem
		中文 Chinese	英文 English		
		1	BYDF3-8212110 BYDF3-8212110B		
2	BYDF3-8212160 BYDF3-8212160B	右前安全带卷收器 (普通式) 右前安全带卷收器 (预紧式)	RETRACTOR, FRONT SAFETY BELT, R	1	
3	BYDF3-8212111	前安全带下塞盖	LOWER COVER, FRONT SAFETY BELT	2	
4	BYDF3-8219111	六角法兰面台阶螺栓7/1 6X40	HEX-BOLT FLANGE	2	
5	BYDF3-8219112	六角法兰面螺栓7/16X25	HEX-BOLT FLANGE	2	
6	Q2360620	十字槽盘头螺钉、弹簧垫 圈和平垫圈组合件	CROSSED HEAD SCREW, SPRING WASHER AND FLAT WASHER COMP	2	
7	BYDF3-8212150	前安全带高低调节装置	HEIGHT ADJUSTER, FRONT SAFETY BELT	2	
8	Q1421020	六角头螺栓和弹簧垫圈组 合件	HEX-BOLT AND SPRING WASHER COMP	2	
9	BYDF3-8212170 BYDF3-8212170R	左前安全带卡套 右前安全带卡套	BUCKLE, FRONT SAFETY BELT, L BUCKLE, FRONT SAFETY BELT, R	1 1	
10	BYDF3-8219115	六角法兰面台阶螺栓7/1 6X25	HEX-BOLT FLANGE	2	

4-2-8

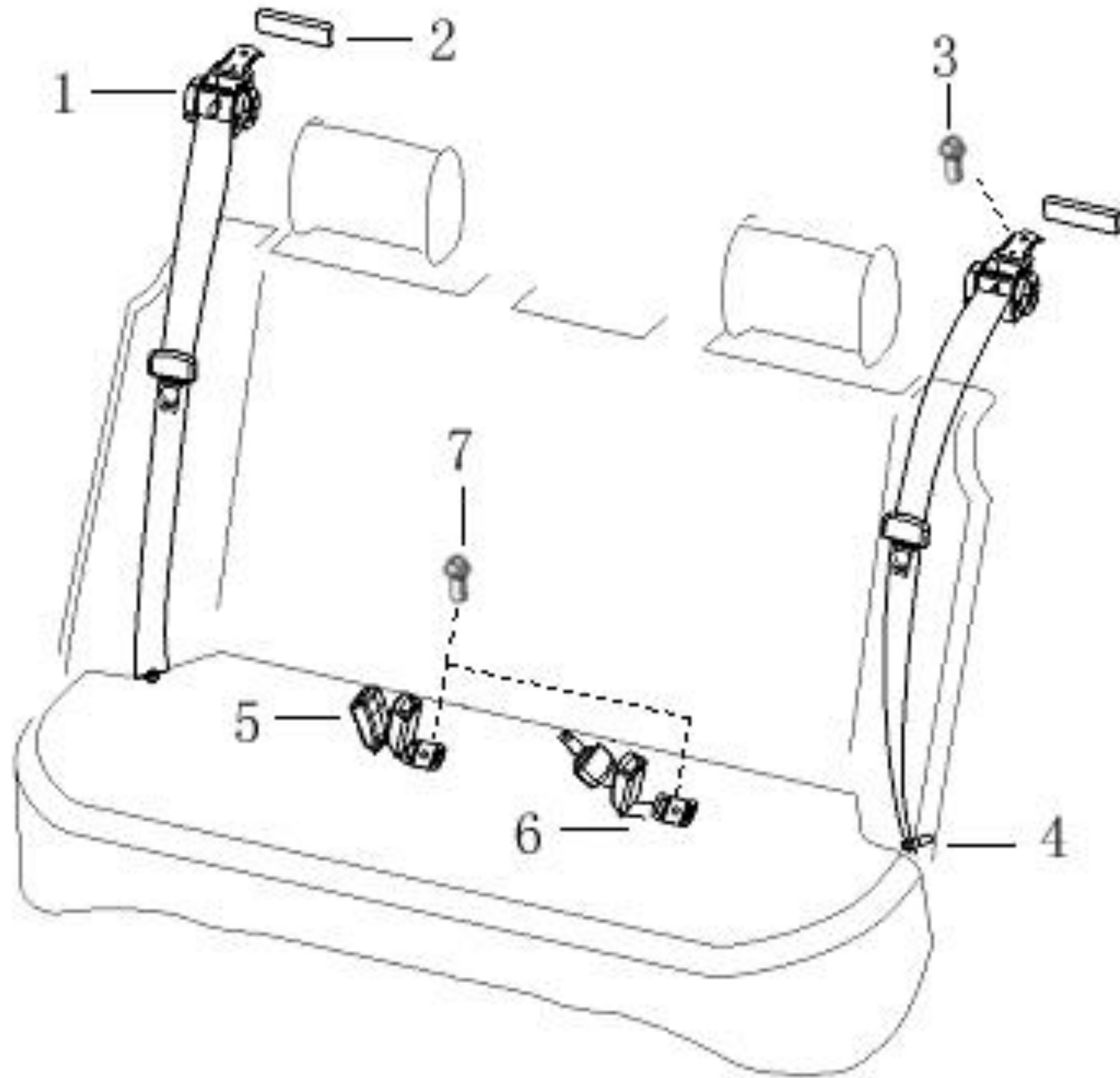


图 4-2-8

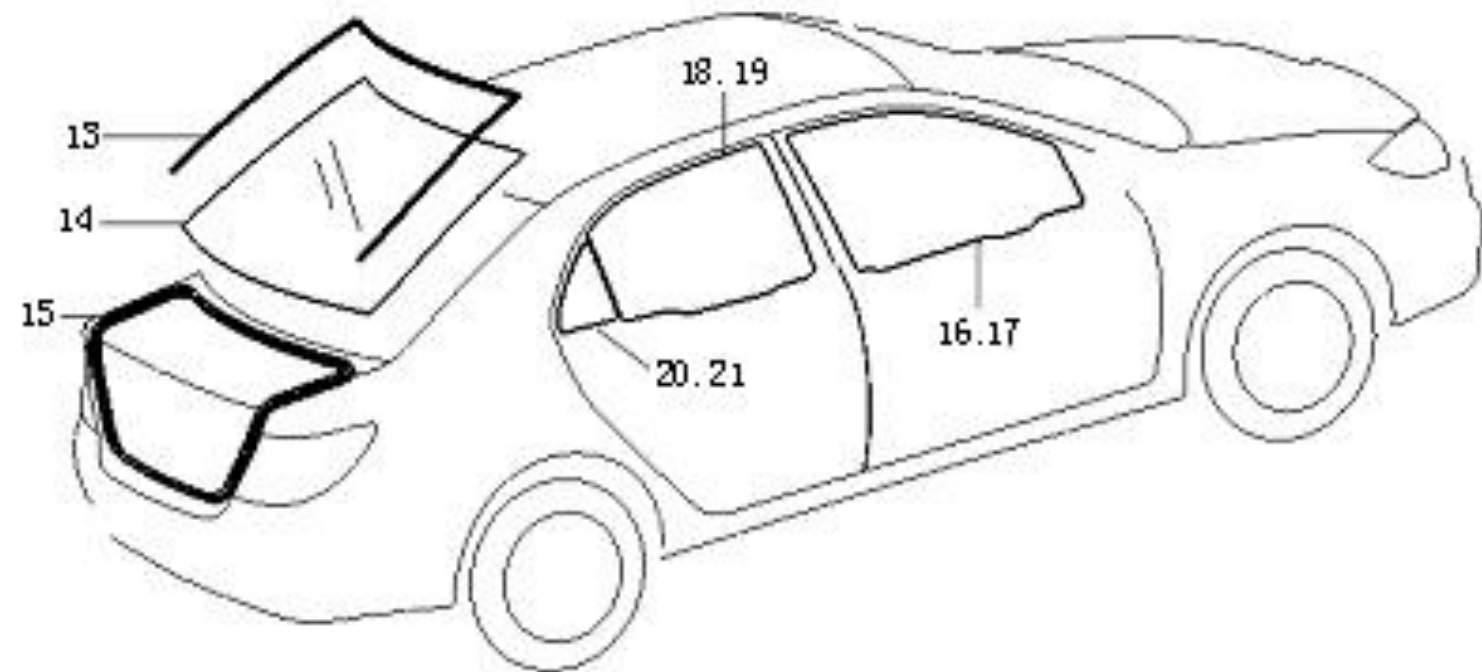
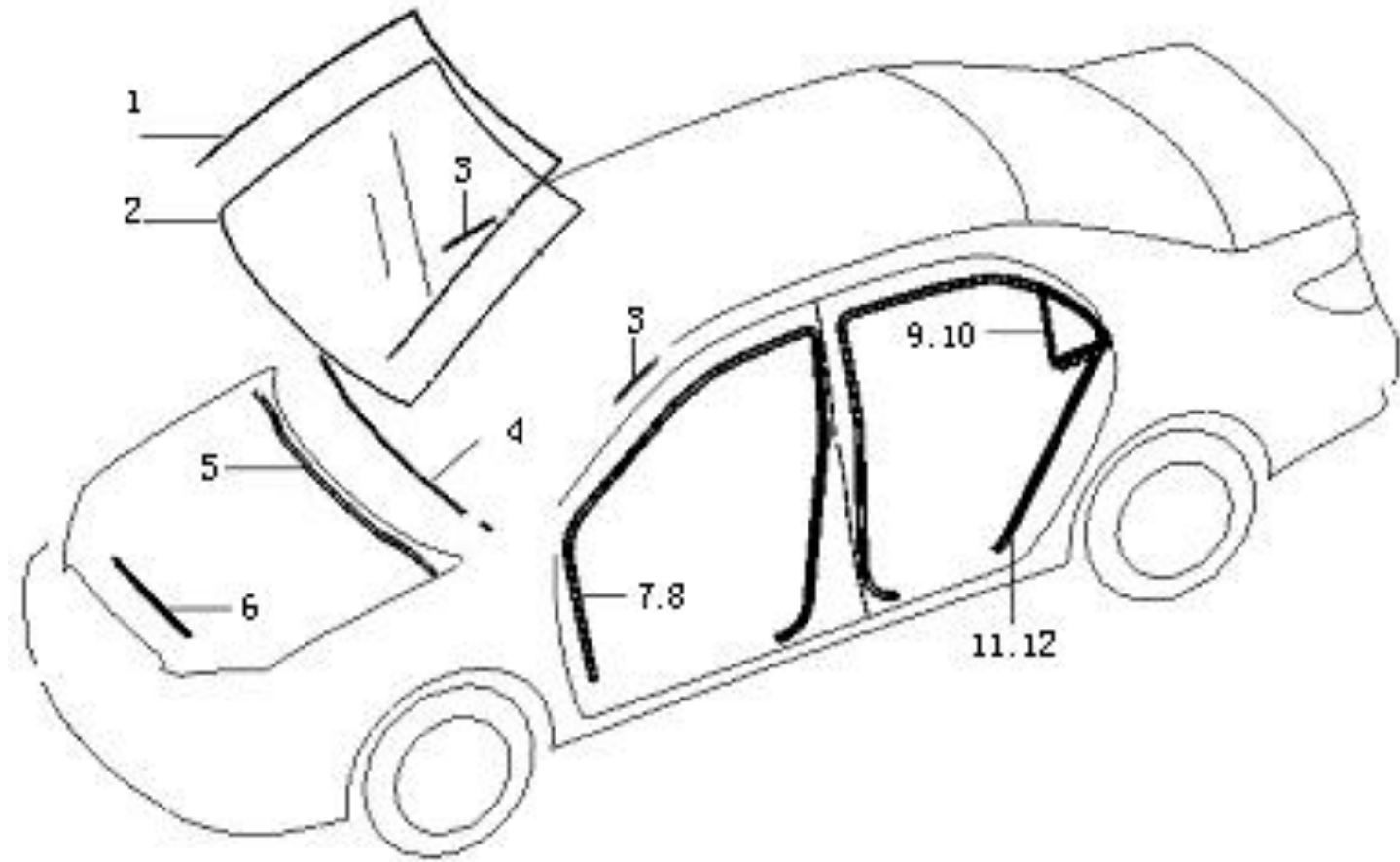
序号 No.	零件编号 Part No.	名称 Description		数量 Qty	备注 Rem
		中文 Chinese	英文 English		
1	BYDF3-8212120	后安全带卷收器	RETRACTOR, REAR SAFETY BELT	2	
2	BYDF3-8212112	后安全带卷扬器隔垫	CUSHION,RETRACTO R, REAR SAFETY BELT	2	
3	BYDF3-8219112	六角法兰面螺栓7/16X25	HEX-BOLT FLANGE	2	
4	BYDF3-8219113	六角法兰面台阶螺栓7/16 X35	HEX-BOLT FLANGE	2	
5	BYDF3-8212140	右后安全带(后排带扣 总成)	REAR SAFETY BELT,R	1	
6	BYDF3-8212130	左后安全带(后排腰带- 带扣总成)	REAR SAFETY BELT,L	1	
7	BYDF3-8219112	六角法兰面螺栓7/16X25	HEX-BOLT FLANGE	2	

图 4-2-9

序号No.	零件编号 Part No.	名称 Description		数量 Qty	备注 Rem
		中文 Chinese	英文 English		
1	BYDF3-5206113	前挡风玻璃密封胶条	WEATHERSTRIP, FRONT WINDSHIELD	1	
2	BYDF3-5206111	前挡风玻璃	FRONT WINDSHIELD	1	
3	BYDF3-5206115	挡风玻璃塞条	SPONGE SEAL, WINDSHIELD	1	
4	BYDF3-5206117	挡风玻璃仪表台海绵塞条	SPONGE SEAL, INSTRUMENT PANEL, FRONT WINDSHIELD	2	
5	BYDF3-5206118	盖板机舱密封条	WEATHERSTRIP, ENGIEN HOOD	1	
6	BYDF3-8402212	发动机罩内密封条	INNER WEATHERSTRIP, ENGIEN HOOD	1	
7	BYDF3-6107113	左前侧门框密封条	FRAME WEATHERSTRIP, FRONT DOOR, L	1	
8	BYDF3-6107114	右前侧门框密封条	FRAME WEATHERSTRIP, FRONT DOOR, R	1	
9	BYDF3-6203123	左后侧门角窗玻璃密封胶圈	WEATHERSTRIP,QUART ER WINDOW, REAR DOOR, ,L	1	
10	BYDF3-6203124	右后侧门角窗玻璃密封胶圈	WEATHERSTRIP,QUART ER WINDOW, REAR DOOR, ,R	1	
11	BYDF3-6207113	左后侧门框密封条	FRAME WEATHERSTRIP, REAR DOOR, L	1	

图 4-2-9

序号No.	零件编号 Part No.	名称 Description		数量 Qty	备注 Rem
		中文 Chinese	英文 English		
12	BYDF3-6207114	右后侧门框密封条	WEATHERSTRIP, REAR DOOR, R	1	
13	BYDF3-5206114	后挡风玻璃密封胶条	WEATHERSTRIP, REAR WINDSHIELD	1	
14	BYDF3-5206112	后挡风玻璃	REAR WINDSHIELD	1	
15	BYDF3-5604311	行李舱盖密封条	WEATHERSTRIP, LUGGAGE COMPARTMENT LID	1	
16	BYDF3-6103111	左前车窗玻璃	GLASS,FRONT DOOR, L	1	
17	BYDF3-6103112	右前车窗玻璃	GLASS,FRONT DOOR, R	1	
18	BYDF3-6203111	左后侧车窗玻璃	GLASS,REAR DOOR, L	1	
19	BYDF3-6203112	右后侧车窗玻璃	GLASS,REAR DOOR, R	1	
20	BYDF3-6203121	左后侧门角窗玻璃	GLASS, QUARTER WINDOW, REAR DOOR, L	1	
21	BYDF3-6203122	右后侧门角窗玻璃	GLASS, QUARTER WINDOW, REAR DOOR, R	1	



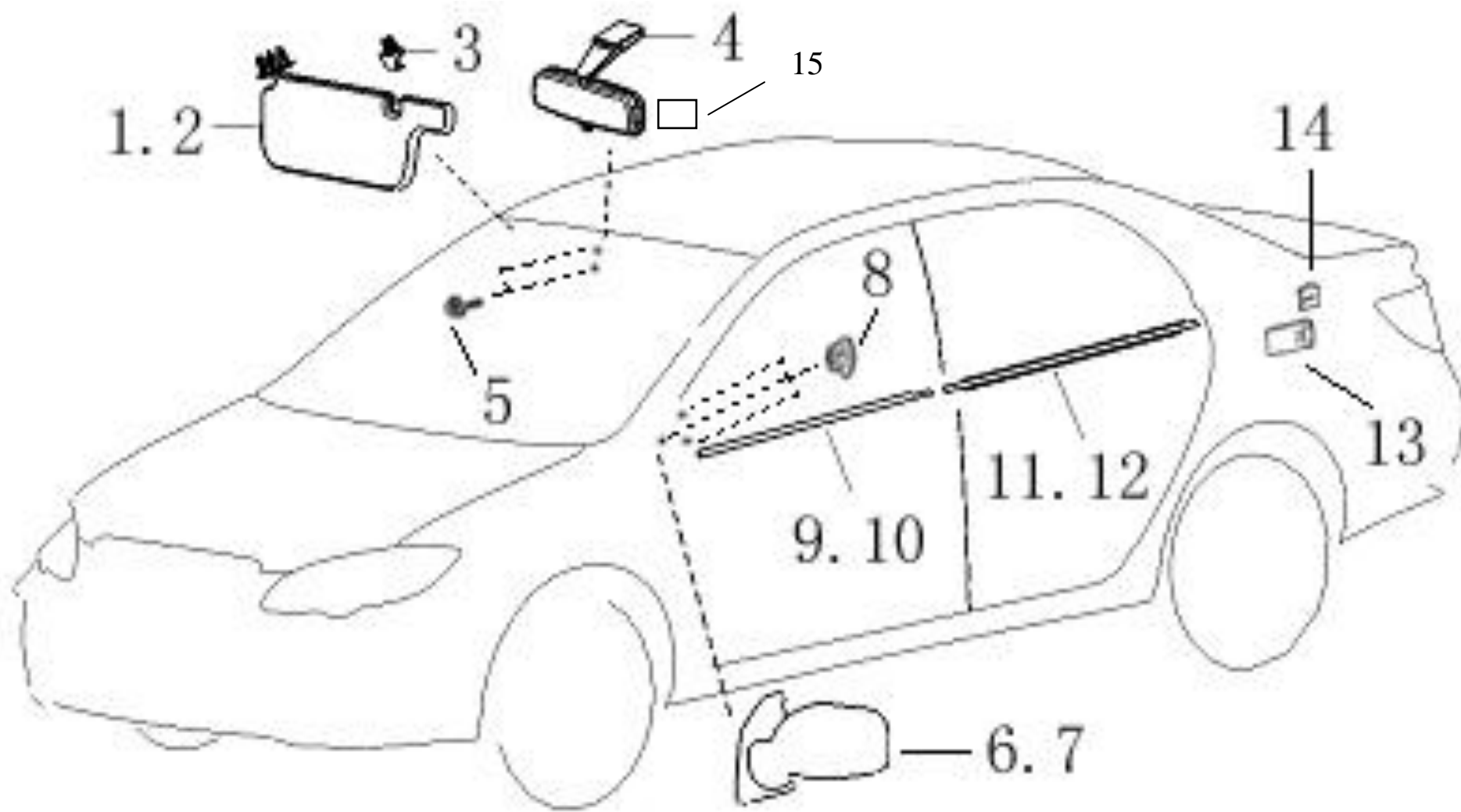


图 4-2-10

序号 No.	零件编号 Part No.	名称 Description		数量 Qty	备注 Rem
		中文 Chinese	英文 English		
1	BYDF3-8204110	左前遮阳板总成	FRONT SUN VISOR ASSY, L	1	
2	BYDF3-8204120	右前遮阳板总成	FRONT SUN VISOR ASSY, R	1	
3	BYDF3-8204111	前遮阳板支架	BRACKET, FRONT SUN VISOR	2	
4	BYDF3-8201010	车内后视镜总成 (带方向显示)	INNER REARVIEW MIRROR ASSY	1	
	BYDF3-8201010C	车内后视镜总成 (非方向显示)			
5	Q2140516	十字槽盘头螺钉	CROSSED HEAD SCREW	2	
6	BYDF3-8202100	左电动外后视镜总成	OUTER POWER REARVIEW MIRROR ASSY, L	1	
	BYDF3-8202100C	左全手动外后视镜总成	OUTER MANUAL REARVIEW MIRROR ASSY, L		
7	BYDF3-8202200	右电动外后视镜总成	OUTER POWER REARVIEW MIRROR ASSY, R	1	
	BYDF3-8202200C	右全手动外后视镜总成	OUTER MANUAL REARVIEW MIRROR ASSY, R		
8	Q32006	六角法兰面螺母	HEX-BOLT FLANGE	6	
9	BYDF3-6102153	左前侧车门窗台装饰条	MOLDING, FRONT DOOR, L	1	
10	BYDF3-6102154	右前侧车门窗台装饰条	MOLDING, FRONT DOOR, R	1	
11	BYDF3-6202147	左后侧车门窗台装饰条	MOLDING, REAR DOOR, L	1	
12	BYDF3-6202148	右后侧车门窗台装饰条	MOLDING, REAR DOOR, R	1	
13	BYDF3-5401264	加油口盖弹簧片固定座	FIXED HOLDER, SPRING, OIL FILLER CAP	1	
14	BYDF3-5401263	加油口盖弹簧片	SPRING, OIL FILLER CAP	1	
15	BYDF3-8201112	固定架盖	COVER, BRACKET		

4-2-11.1

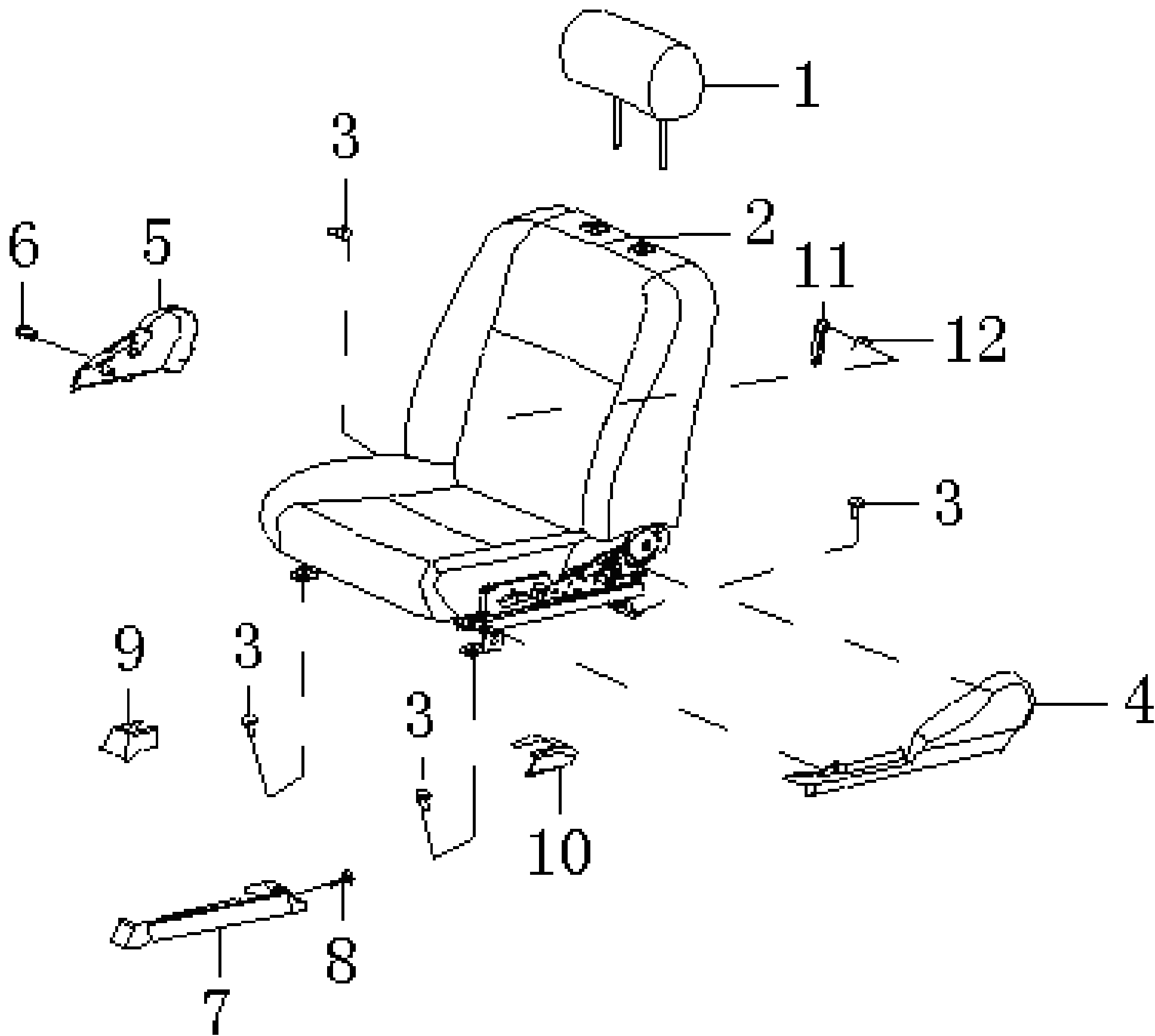


图 4-2-11.1 (适用于旗舰型)

序号 No.	零件编号 Part No.	名称 Description		数量 Qty	备注 Rem
		中文 Chinese	英文 English		
1	BYDF3-6808010	前排座椅头枕总成	HEADREST ASSY, DRIVER SEAT	1	
2	BYDF3-6800010B	主驾驶座椅总成	DRIVER SEAT ASSY	1	
3	Q1401030	组合螺栓	COMBINATION BOLT	4	
4	BYDF3-6802104B	主驾驶左外护板	OUTER SHIELD, DRIVER SEAT, L	1	
5	BYDF3-6802101B	主驾驶右外护板	OUTER SHIELD, DRIVER SEAT, R	1	
6	GB845-85- ST4.8×16-C-H	十字自攻螺钉	CROSSED SELF-TAPPING SCREW	1	
7	BYDF3-6802114	主驾驶滑轨内支撑 护板	Inner shield, front seat RAIL, L	1	
8	BYDF3-6802119	护板卡扣	SHIELD BAYONET	1	
9	BYDF3-6802115	前排座椅滑轨内前 支撑护板	FRONT INNER SHIELD, TRACK, DRIVER SEAT	1	
10	BYDF3-6802117	主驾驶滑轨内后支 撑护板	REAR INNER SHIELD, TRACK, DRIVER SEAT	1	
11	BYDF3-6801135	腰椎支撑调节手柄	LUMBAR SUPPORT ADJUSTING HANDLE	1	
12	BYDF3-6804205	旋钮保持弹簧	RETAINING SPRING	1	

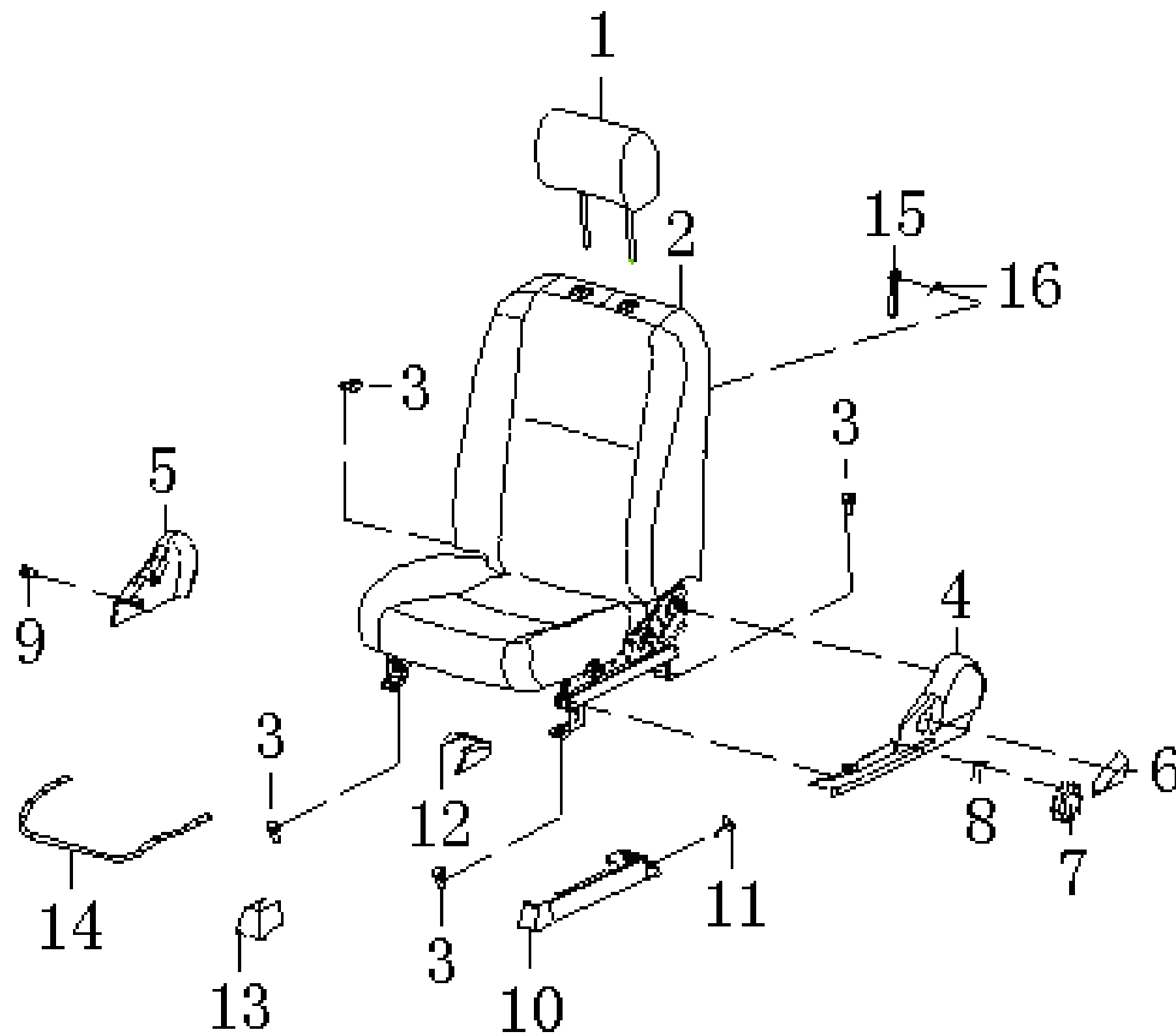


图 4-2-11.2 (适用于经济型、舒适型、尊贵型)

序号 No.	零件编号 Part No.	名称 Description		数量 Qty	备注 Rem
		中文 Chinese	英文 English		
1	BYDF3-6808010	前排座椅头枕总成	HEADREST ASSY, DRIVER SEAT	1	
2	BYDF3-6800010	主驾驶座椅总成	DRIVER SEAT ASSY	1	
3	Q1401030	组合螺栓	COMBINATION BOLT	4	
4	BYDF3-6802104	主驾驶座椅左外护板	OUTER SHIELD, DRIVER SEAT, L	1	
5	BYDF3-6802101	主驾驶座椅右外护板	OUTER SHIELD, DRIVER SEAT, R	1	
6	BYDF3-6802103	主驾驶座椅靠背调节手柄	RECLINING ADJUSTER HANDLE, DRIVER SEAT	1	
7	BYDF3-7006002	座板角度调整手轮	KNOB, ANGLE ADJUSTER	1	
8	BYDF3-6804205	旋钮保持弹簧	RETAINING SPRING	1	
9	GB845-85- ST4.8×16-C-H	十字自攻螺钉	CROSSED HEAD SELF-TAPPING SCREW	1	
10	BYDF3-6802114	主驾驶座椅滑轨内支撑护板	INNER SHIELD,TRACK, DRIVER SEAT	1	
11	BYDF3-6802119	护板卡扣	CLIP, INNER SHIELD,TRACK, DRIVER SEAT	1	
12	BYDF3-6802117	主驾驶座椅滑轨内后支撑护板	REAR INNER SHIELD,TRACK, DRIVER SEAT	1	
13	BYDF3-6802115	前排座椅滑轨内前支撑护板	FRONT INNER SHIELD,TRACK, DRIVER SEAT	1	
14	BYDF3-6804152	座椅前后调节手柄	TRACK SLIDE HANDLE	1	
15	BYDF3-6804135	腰椎支撑调节手柄	LUMBAR SUPPORT ADJUSTING HANDLEL	1	
16	BYDF3-6804205	旋钮保持弹簧	RETAINING SPRING	1	

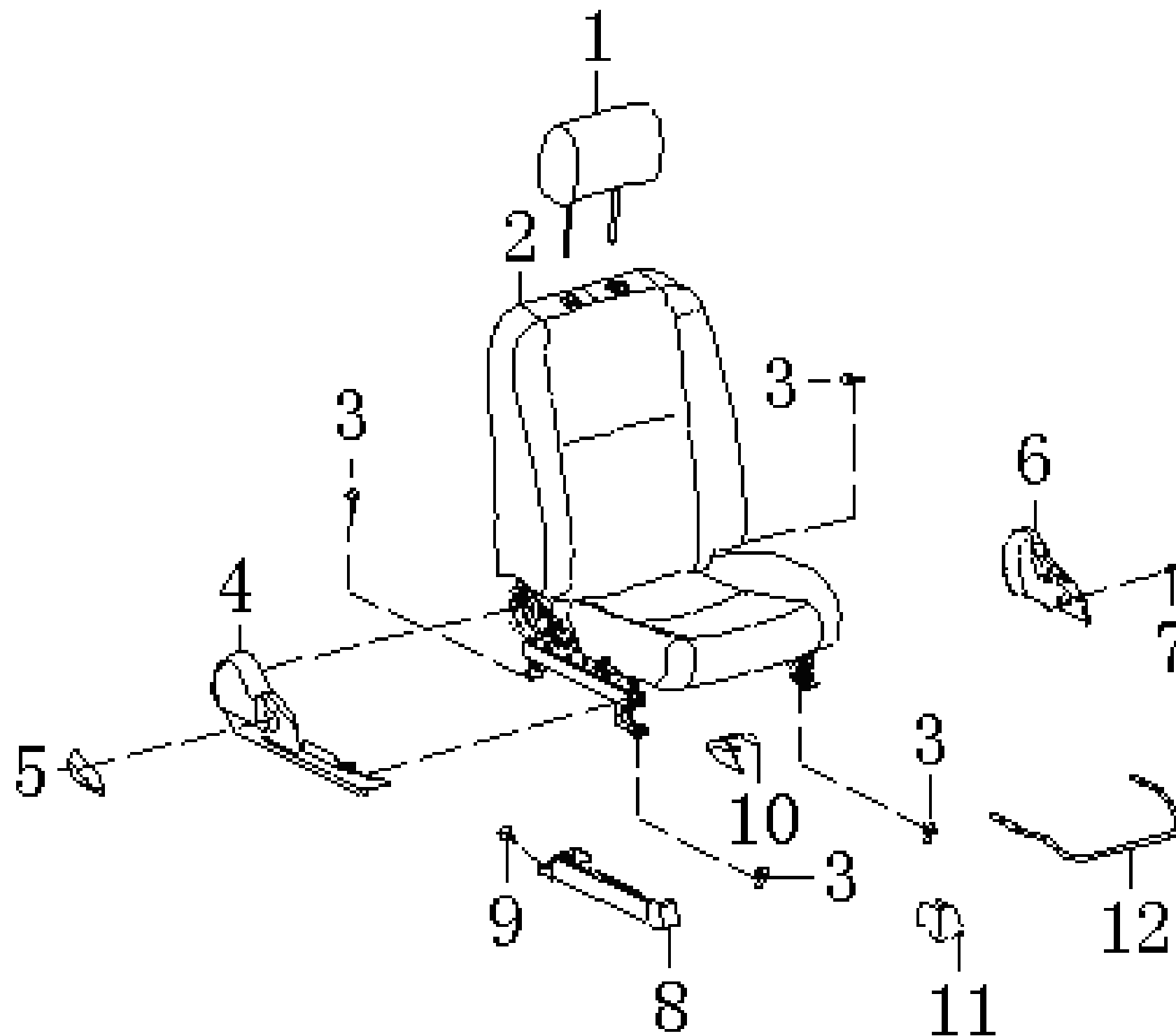


图 4-2-12

序号 No.	零件编号 Part No.	名称 Description		数量 Qty	备注 Rem
		中文 Chinese	英文 English		
1	BYDF3-6808010	前排座椅头枕总成	HEADREST ASSY, FRONT PASSENGER SEAT	1	
2	BYDF3-6900010	副驾驶座椅总成	FRONT PASSENGER SEAT ASSY	1	
3	Q1401030	组合螺栓	COMBINATION BOLT	4	
4	BYDF3-6802104	副驾驶座椅右外护板	OUTER SHIELD, FRONT PASSENGER SEAT,R	1	
5	BYDF3-6902103	副驾驶座椅靠背调节手柄	RECLINING ADJUSTER HANDLE, FRONT PASSENGER SEAT	1	
6	BYDF3-6902101	副驾驶座椅左外护板	OUTER SHIELD, FRONT PASSENGER SEAT,L	1	
7	GB845-85-ST4.8×16-C-H	十字自攻螺钉	CROSSED HEAD SELF- TAPPING SCREW	1	
8	BYDF3-6902113	副驾驶座椅滑轨内支撑护板	INNER SHIELD,TRACK, FRONT PASSENGER SEAT	1	
9	BYDF3-6802119	护板卡扣	CLIP, INNER SHIELD,TRACK, FRONT PASSENGER SEAT	1	
10	BYDF3-6902118	副驾驶座椅滑轨内后支撑护板	REAR INNER SHIELD,TRACK, FRONT PASSENGER SEAT	1	
11	BYDF3-6802115	前排座椅滑轨内前支撑护板	FRONT INNER SHIELD,TRACK, FRONT PASSENGER SEAT	1	
12	BYDF3-6804152	座椅前后调节手柄	TRACK SLIDE HANDLE, FRONT PASSENGER SEAT	1	

4-2-13.1

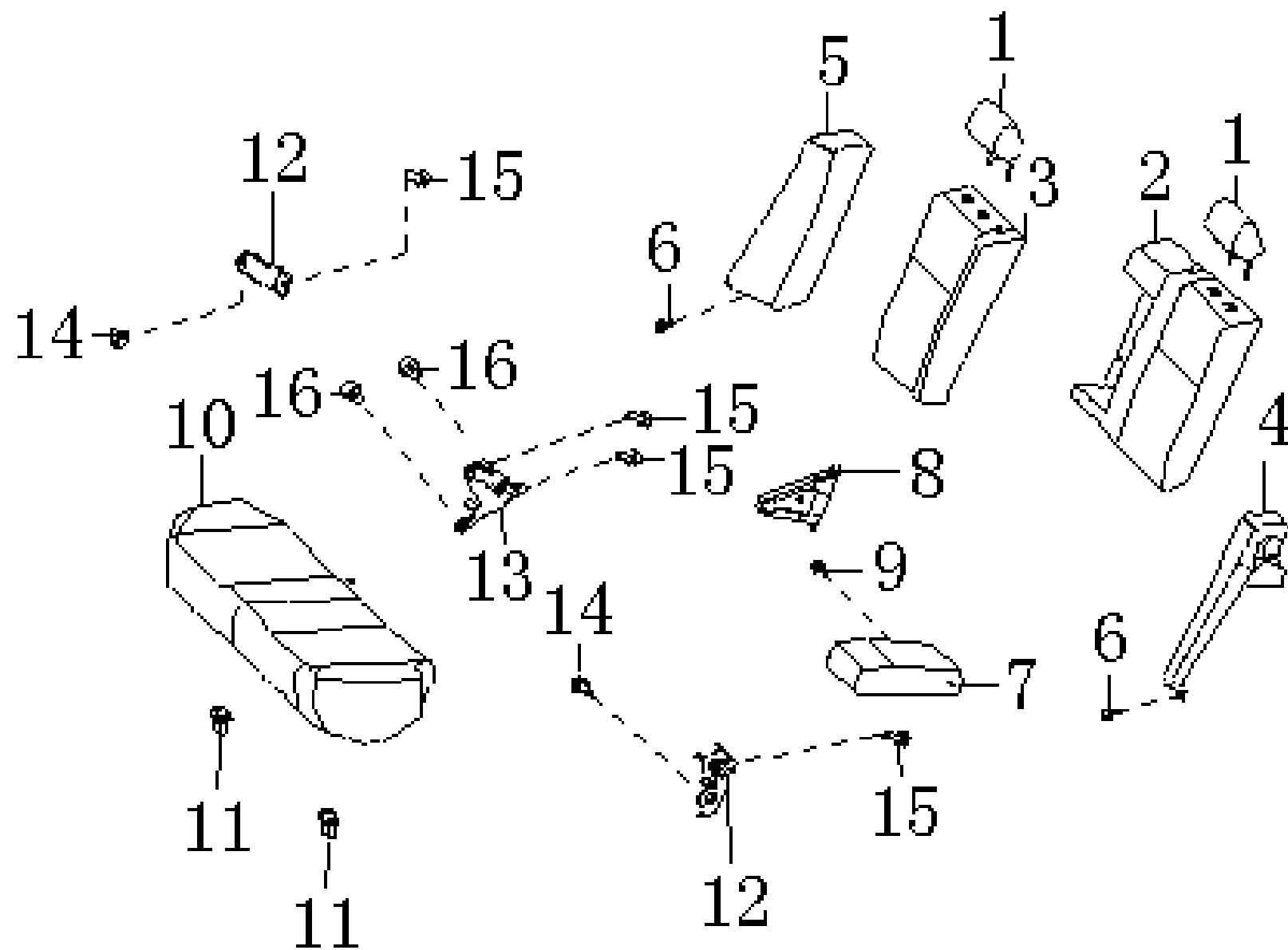


图 4-2-13.1 (适用于舒适型、尊贵型、旗舰型)

序号 No.	零件编号 Part No.	名称 Description		数量 Qty	备注 Rem
		中文 Chinese	英文 English		
		1	BYDF3-7008010		
2	BYDF3-7005060	大靠背总成	LARGER SEATBACK ASSY	1	
3	BYDF3-7005070	小靠背总成	SMALL SEATBACK ASSY	1	
4	BYDF3-7006100	左扶手总成	ARMREST ASSY,L	1	
5	BYDF3-7006200	右扶手总成	ARMREST ASSY,R	1	
6	Q1400616	固定螺栓	FIXED BOLT	2	
7	BYDF3-7006300	中间扶手组成	MIDDLE ARMREST ASSY	1	
8	BYDF3-7005027	扶手支架壳	BRACKET SHELL, ARMREST	1	
9	BYDF3-7006011	中间扶手支架螺栓	BOLT, BRACKET, MIDDLE ARMREST	1	
10	BYDF3-7003100	后座软垫总成	REAR SEAT CUSHION ASSY	1	
11	BYDF3-7000110	后座垫卡座总成	CLIP SEAT, REAR SEAT CUSHION	2	
12	BYDF3-7007111	后座靠背侧连接板	SIDE CONNECTED PLATE, REAR SEATBACK	2	
13	BYDF3-7007120	后座靠背中连接板组成	MIDDLE CONNECTED PLATE COMP REAR SEATBACK	1	
14	BYDF3-7000113	侧支架法兰面螺栓	FLANGE BOLT	2	
15	GB/T16674.1- 2004 M8*20	六角法兰面螺栓	HEX-BOLT FLANGE	4	
16	Q1401030STF2P1.2 5	固定螺栓	FIXED BOLT	2	

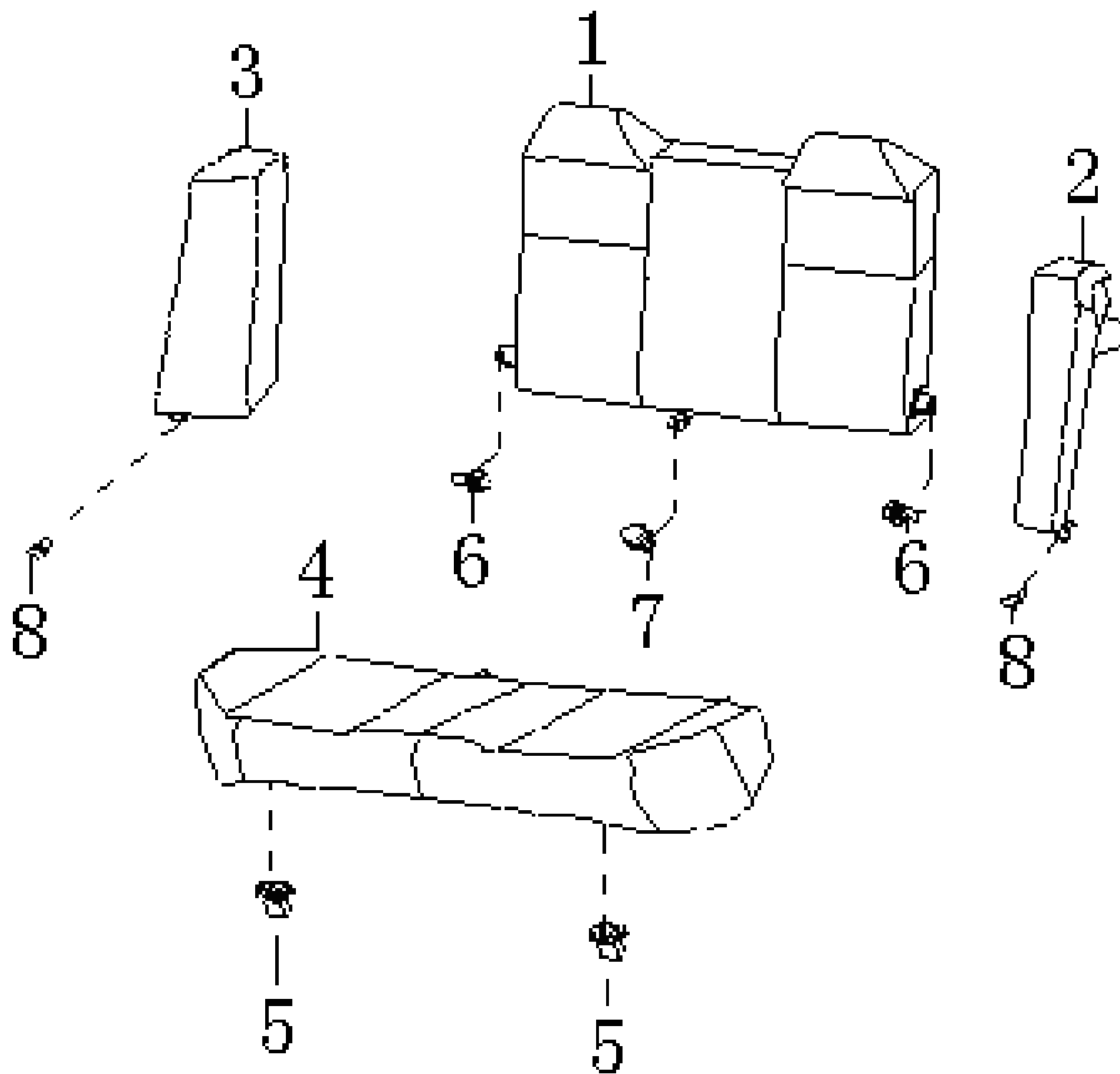


图 4-2-13.2 (适用于经济型)

序号 No.	零件编号 Part No.	名称 Description		数量 Qty	备注 Rem
		中文 Chinese	英文 English		
		1	BYDF3-7005100C		
2	BYDF3-7006100	左扶手总成	ARMREST ASSY,L	1	
3	BYDF3-7006200	右扶手总成	ARMREST ASSY,R	1	
4	BYDF3-7003100	后座软垫总成	REAR SEAT CUSHION ASSY	1	
5	BYDF3-7000110	后座垫卡座总成	CLIP SEAT, REAR SEAT CUSHION	2	
6	BYDF3-7000113	侧支架法兰面螺栓	FLANGE BOLT	2	
7	Q1401030STF2 P1.25	固定螺栓	FIXED BOLT	1	
8	Q1400616	固定螺栓	FIXED BOLT	2	

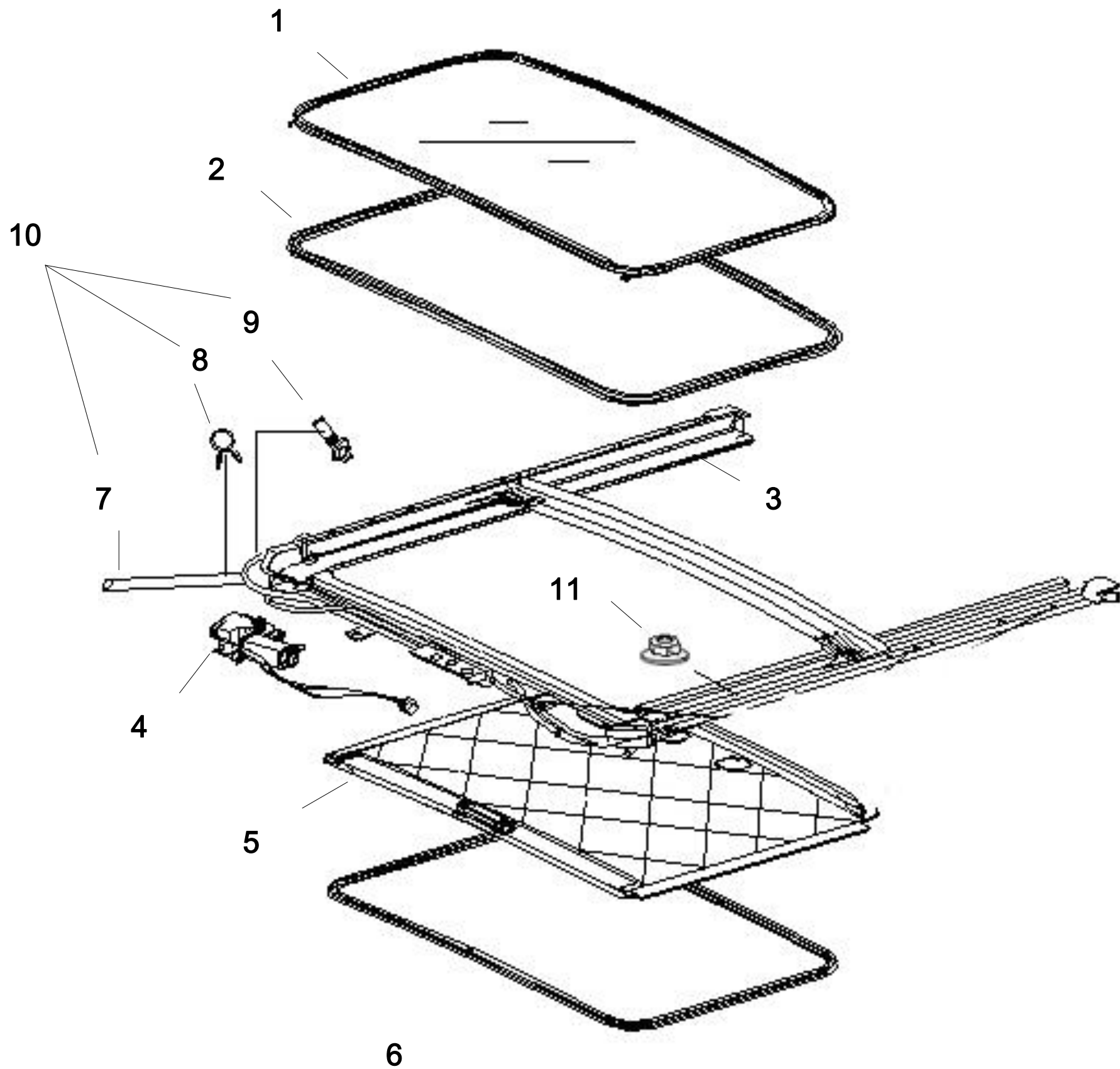


图 4-2-14

序号 No.	零件编号 Part No.	名称 Description		数量 Qty	备注 Rem
		中文 Chinese	英文 English		
		1	BYDF3-5703150B		
2	BYDF3-5703130B	天窗压条	WEATHERSTRIP,SUN ROOF	1	
3	BYDF3-5703110B	天窗骨架总成	FRAME, SUN ROOF	1	
4	BYDF3-3746900B	天窗电机及支架总成	MOTOR & BRACKET ASSY, SUN ROOF	1	
5	BYDF3-5703120B	天窗护板总成	SHIELD, SUN ROOF	1	
6	BYDF3-5703125B	天窗护板压条	WEATHERSTRIP,SHIELD, SUN ROOF	1	
7	BYDF3-5703162B	天窗下水管	WATER OUTLET PIPE, SUN ROOF	4	
8	BYDF3-5703163B	天窗下水管卡簧	CLIP,WATER OUTLET PIPE, SUN ROOF	4	
9	BYDF3-5703161B	天窗下水口	WATER OUTLET VENT, SUN ROOF	2	
10	BYDF3-5703160B	天窗下水管总成	WATER OUTLET PIPE ASSY	4	
11	Q32006	六角法兰面螺母	HEX-BOLT FLANGE	6	